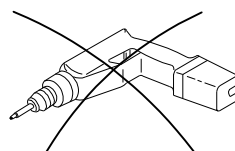
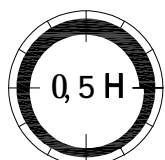
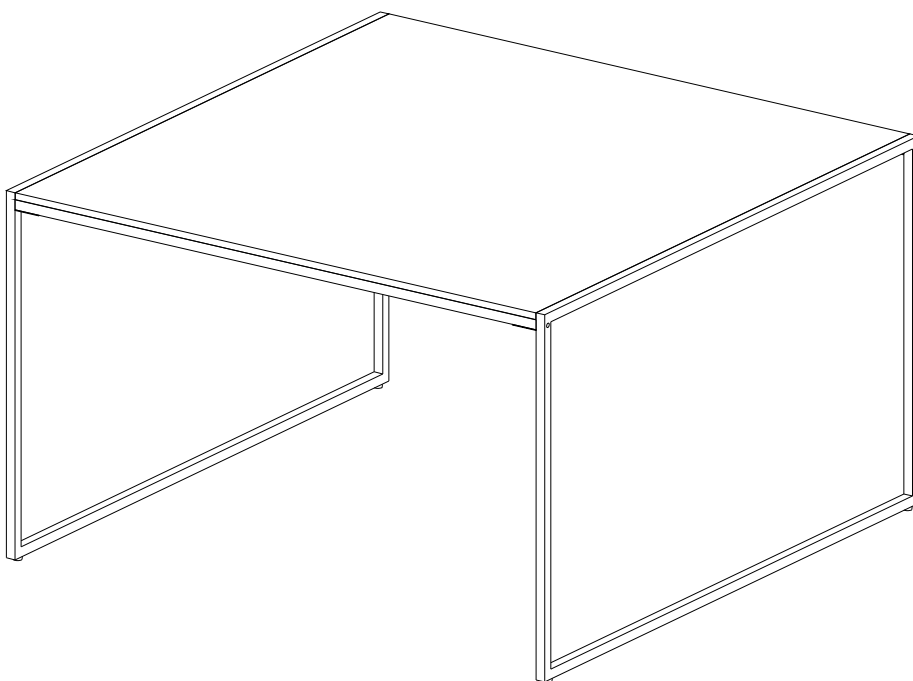
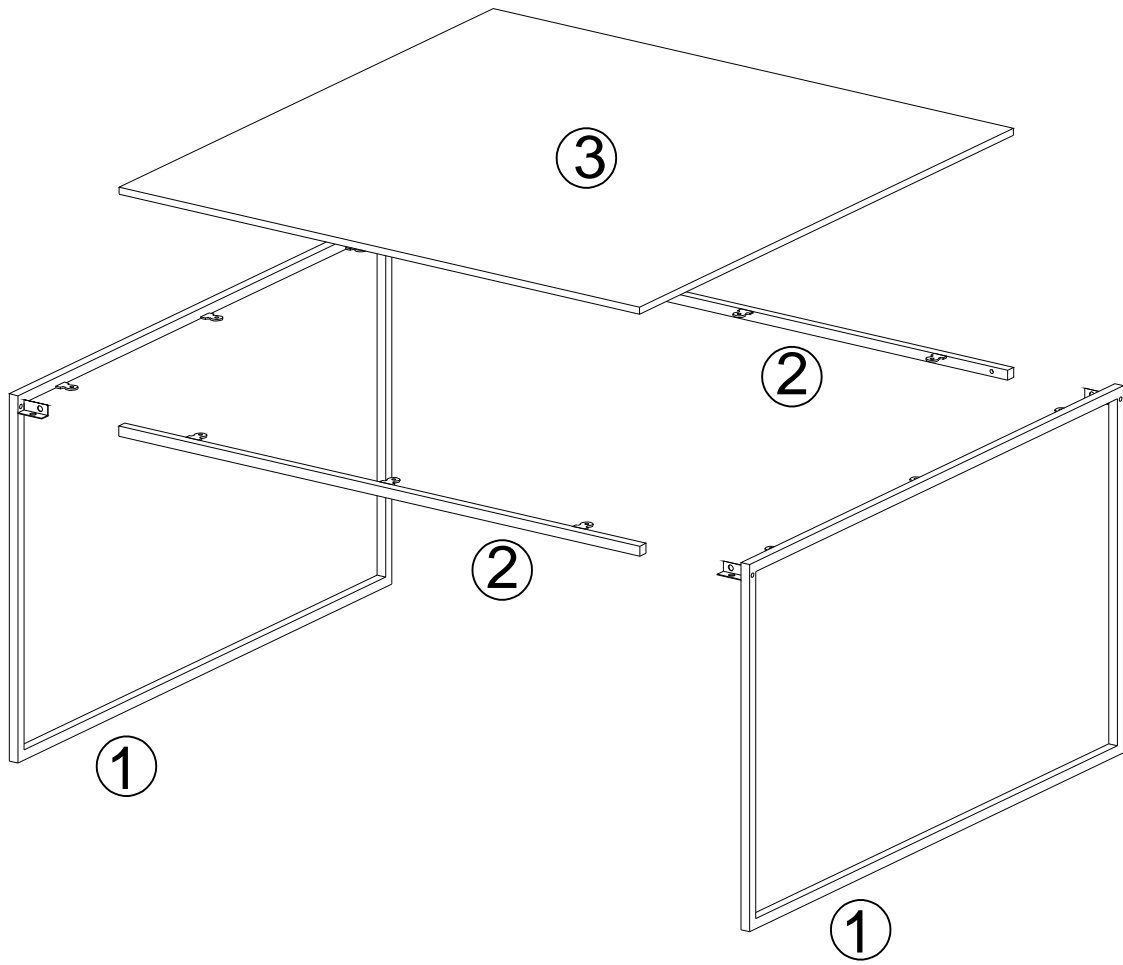





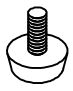



# Raddel





27/03/2021

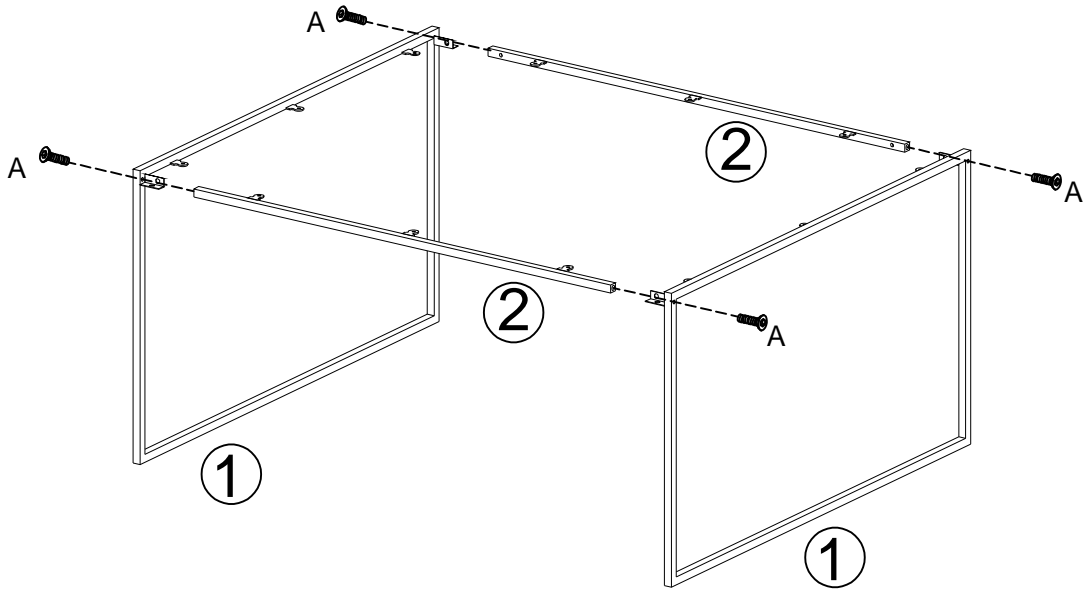
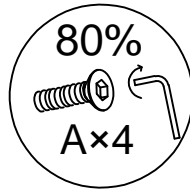
			✓
①	2	800x475x48	
②	2	774x40x13	
③	1	800x773x9	





<p><b>A x 4</b></p>  <p><b>M5×25mm</b></p>	<p><b>B x 8</b></p>  <p><b>M6×10mm</b></p>	<p><b>C x 12</b></p>  <p><b>M4x10mm</b></p>	<p><b>D x 4</b></p>  <p><b>Ø13x15</b></p>	<p><b>E x 1</b></p>  <p><b>4mm</b></p>
<p><b>F x 1</b></p>  <p><b>3mm</b></p>	<p><b>G x 12</b></p>  <p><b>Ø9/Ø4</b></p>			

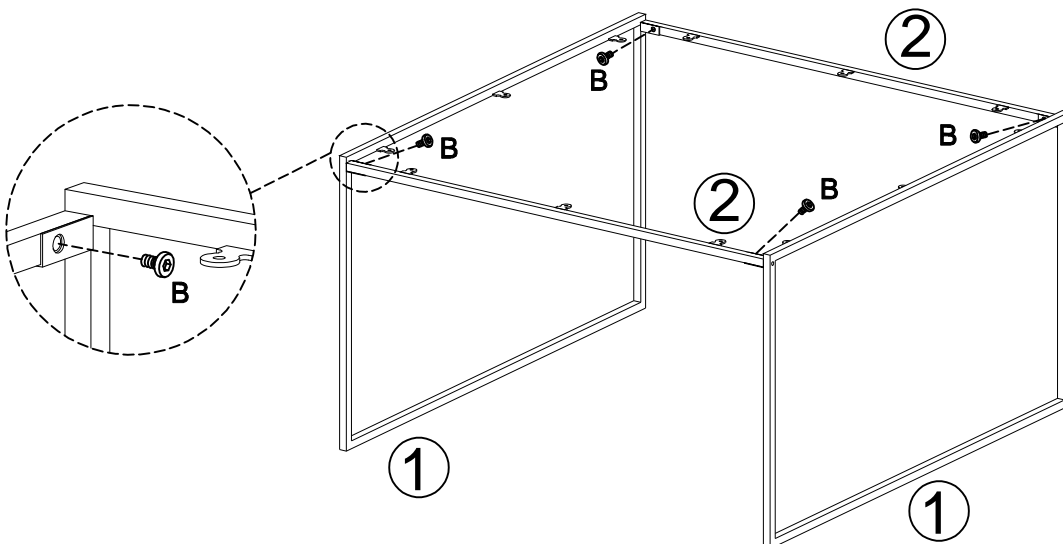
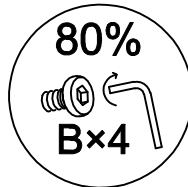
# 1

<b>A x 4</b>  <b>M5x25mm</b>	<b>F x 1</b>  <b>3mm</b>
---	---





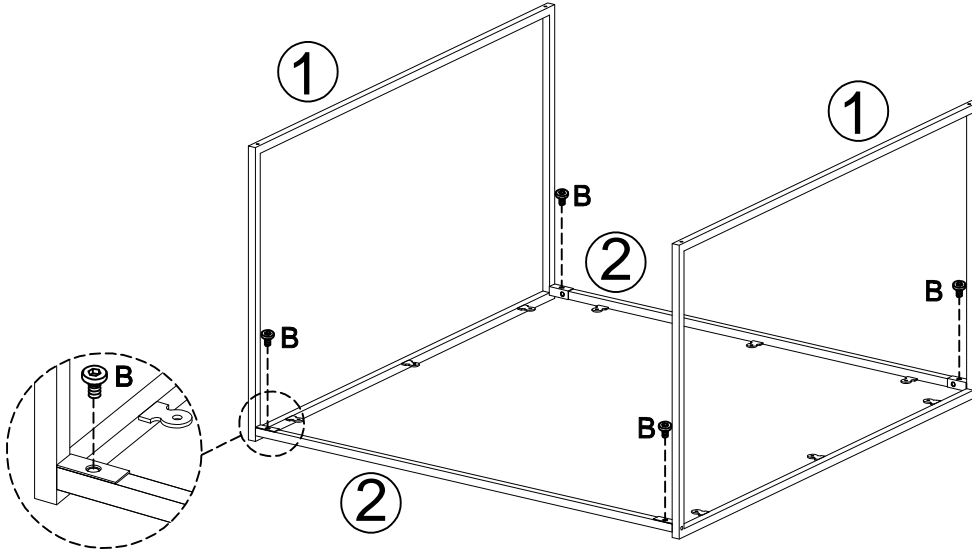
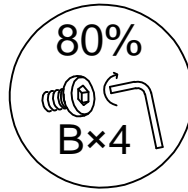
# 2

<b>B x 4</b>  <b>M6x10mm</b>	<b>E x 1</b>  <b>4mm</b>
---	---






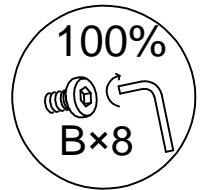
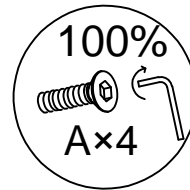
# 3

<b>B x 4</b>  <b>M6x10mm</b>	<b>E x 1</b>  <b>4mm</b>
---	---

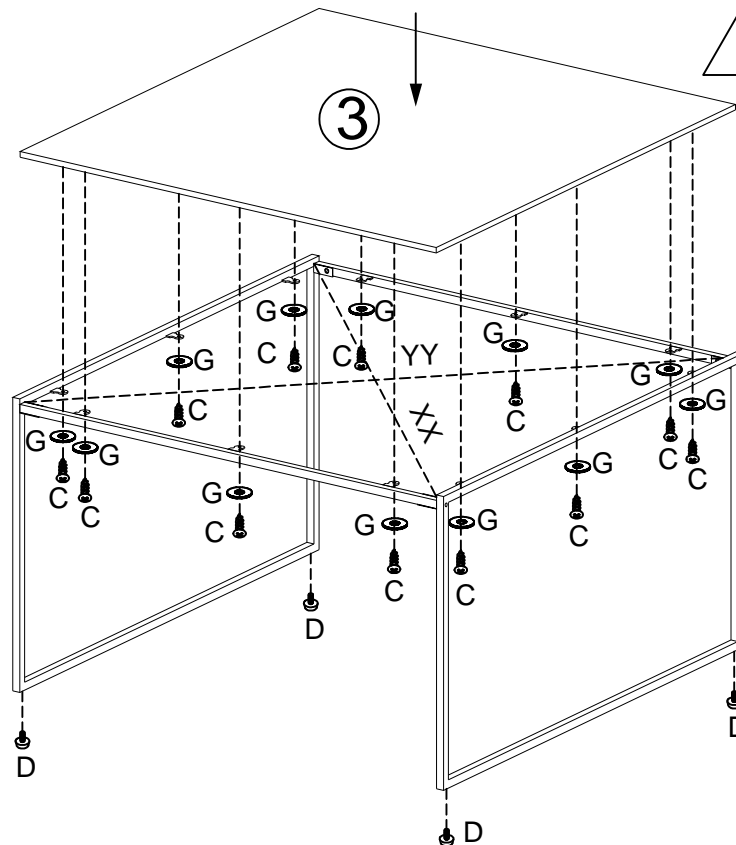


# 4

<b>C x 12</b>  <b>M4x10mm</b>	<b>D x 4</b>  <b>Ø13x15</b>	<b>G x 12</b>  <b>Ø9/Ø4</b>
--	--	--



XX=YY



5

