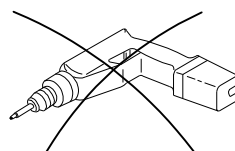
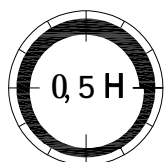
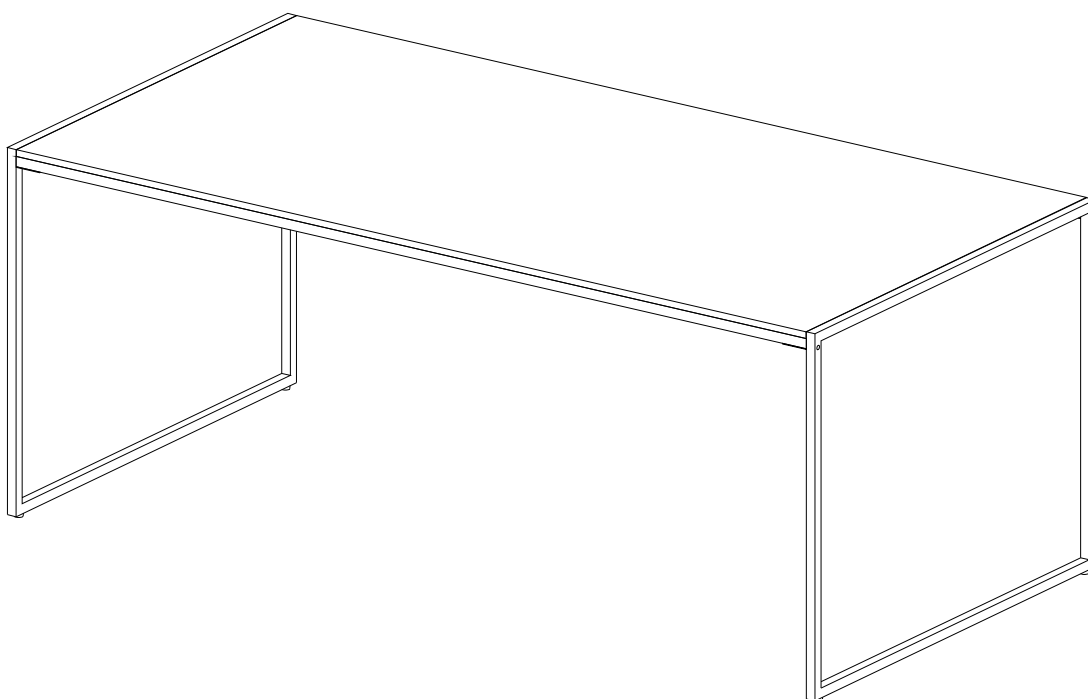
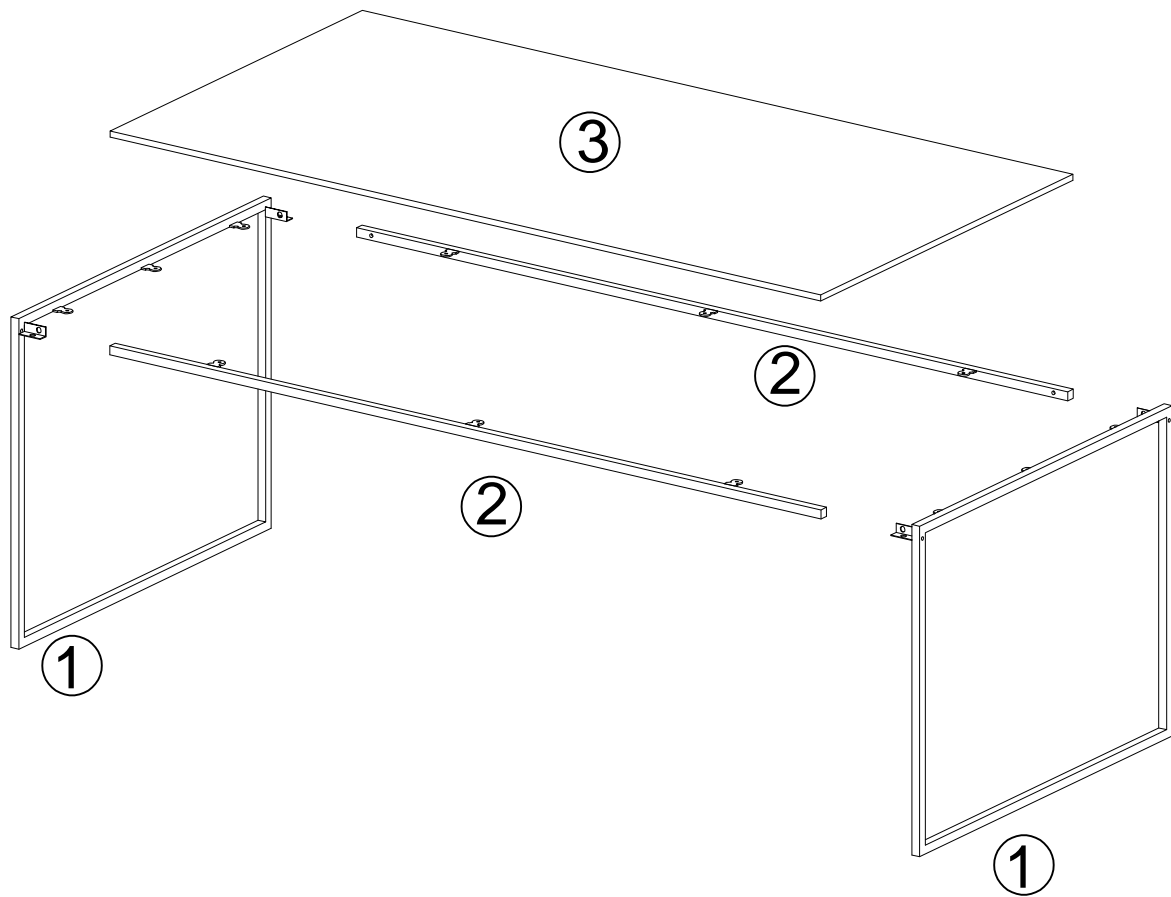





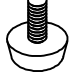



Raddel





27/03/2021

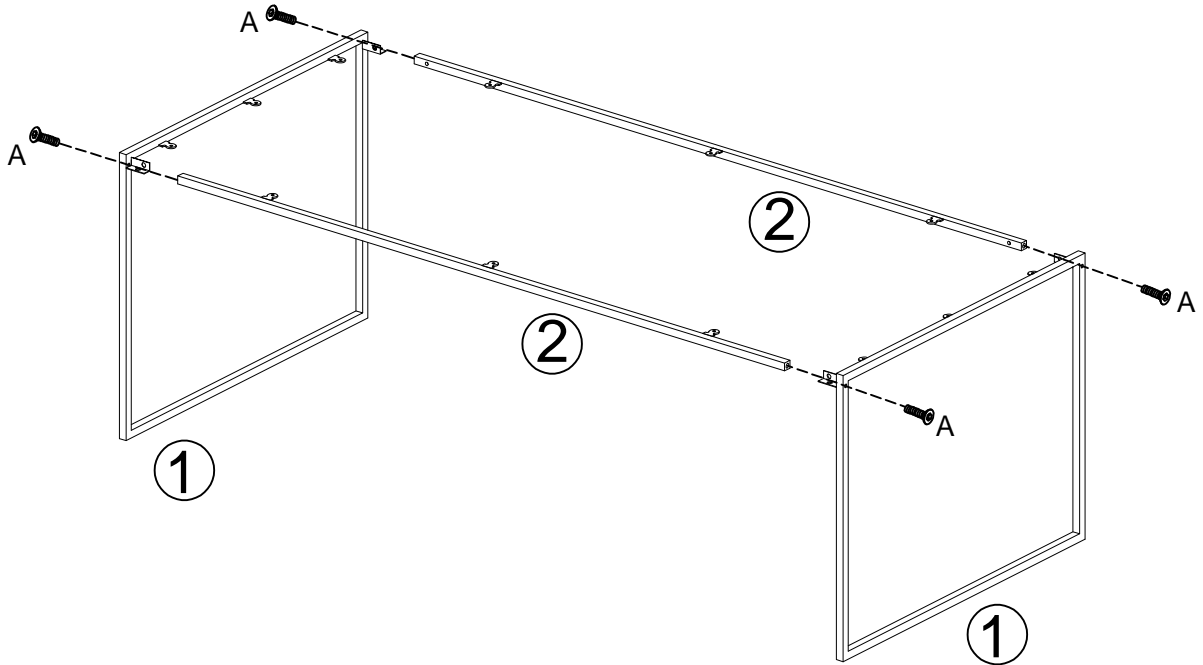
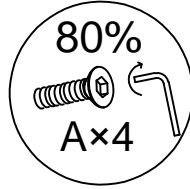
			✓
①	2	600x475x48	
②	2	1174x40x13	
③	1	1173x600x9	



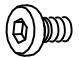

<p>A x 4</p>  <p>M5×25mm</p>	<p>B x 8</p>  <p>M6×10mm</p>	<p>C x 12</p>  <p>M4x10mm</p>	<p>D x 4</p>  <p>Ø13x15</p>	<p>E x 1</p>  <p>4mm</p>
<p>F x 1</p>  <p>3mm</p>	<p>G x 12</p>  <p>Ø9/Ø4</p>			

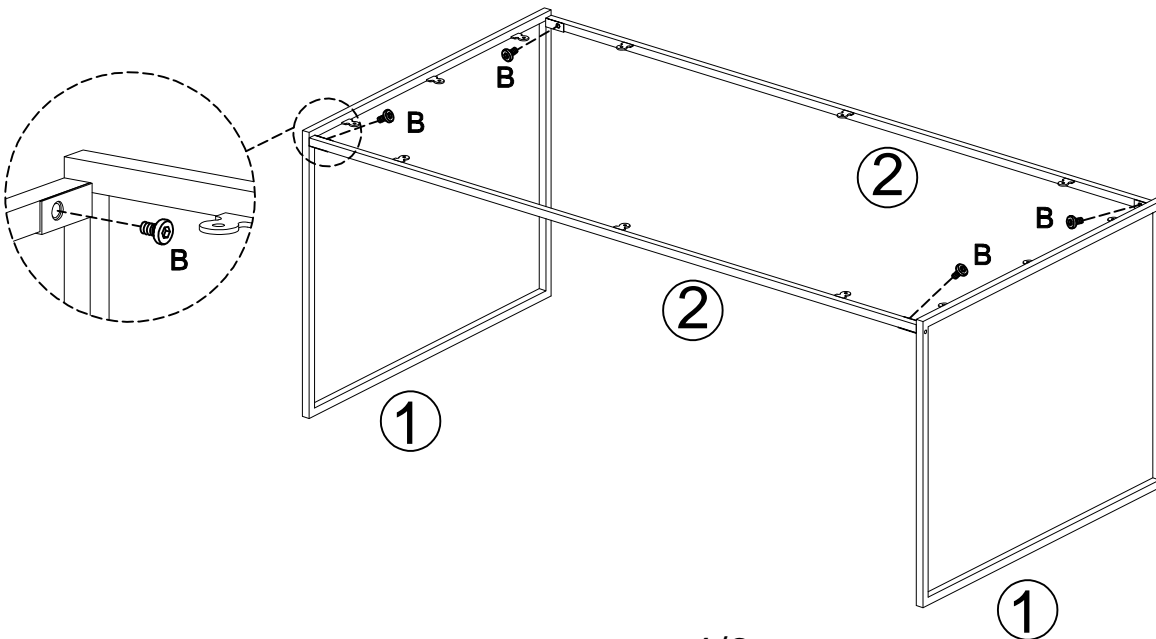
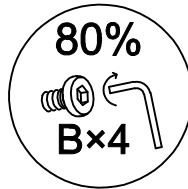
1

A x 4  M5x25mm	F x 1  3mm
---------------------------------------------------------------------------------------------------------------------	-----------------------------------------------------------------------------------------------------------------


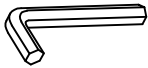


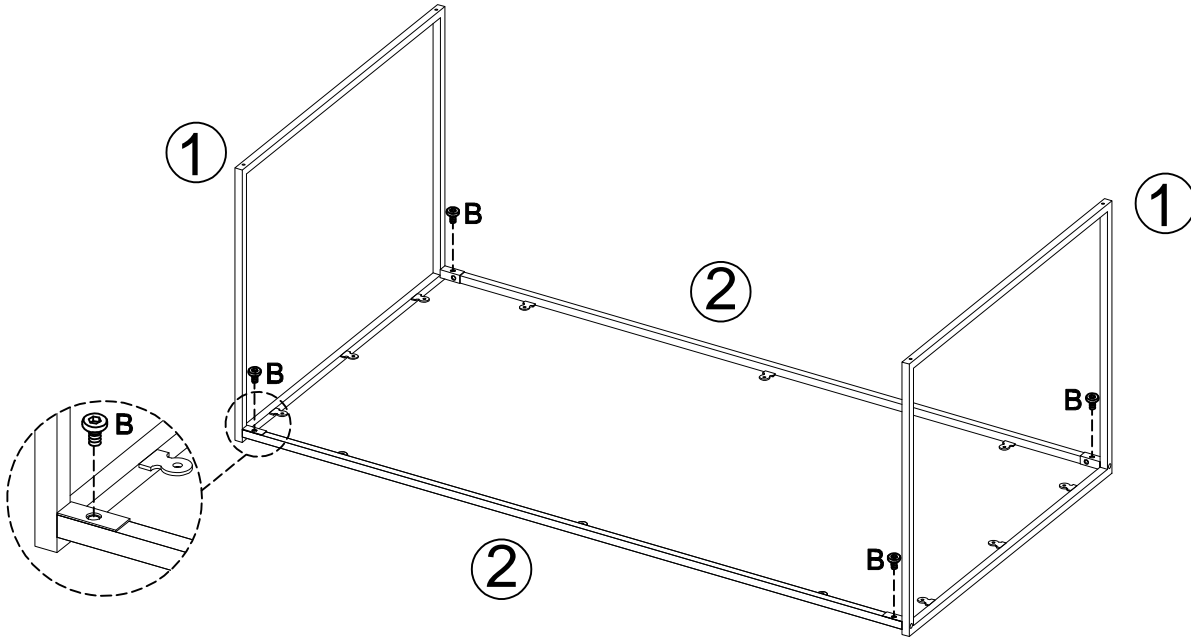
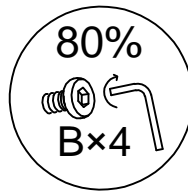
2

B x 4  M6x10mm	E x 1  4mm
-----------------------------------------------------------------------------------------------------------------------	-------------------------------------------------------------------------------------------------------------------


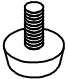



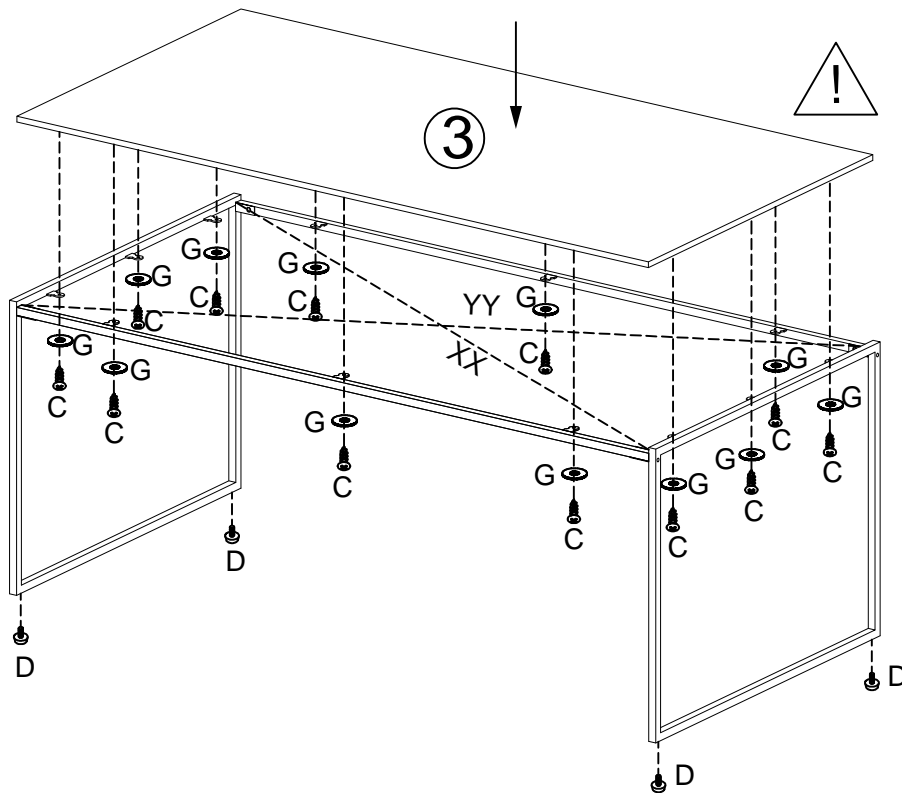
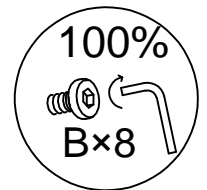
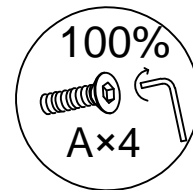
3

B x 4  M6x10mm	E x 1  4mm
---------------------------------------------------------------------------------------------------------------------	-----------------------------------------------------------------------------------------------------------------



4

C x 12  M4x10mm	D x 4  Ø13x15	G x 12  Ø9/Ø4
------------------------------------------------------------------------------------------------------------------------	----------------------------------------------------------------------------------------------------------------------	----------------------------------------------------------------------------------------------------------------------



! XX=YY



5

