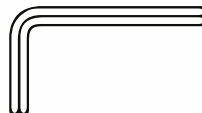
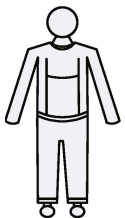
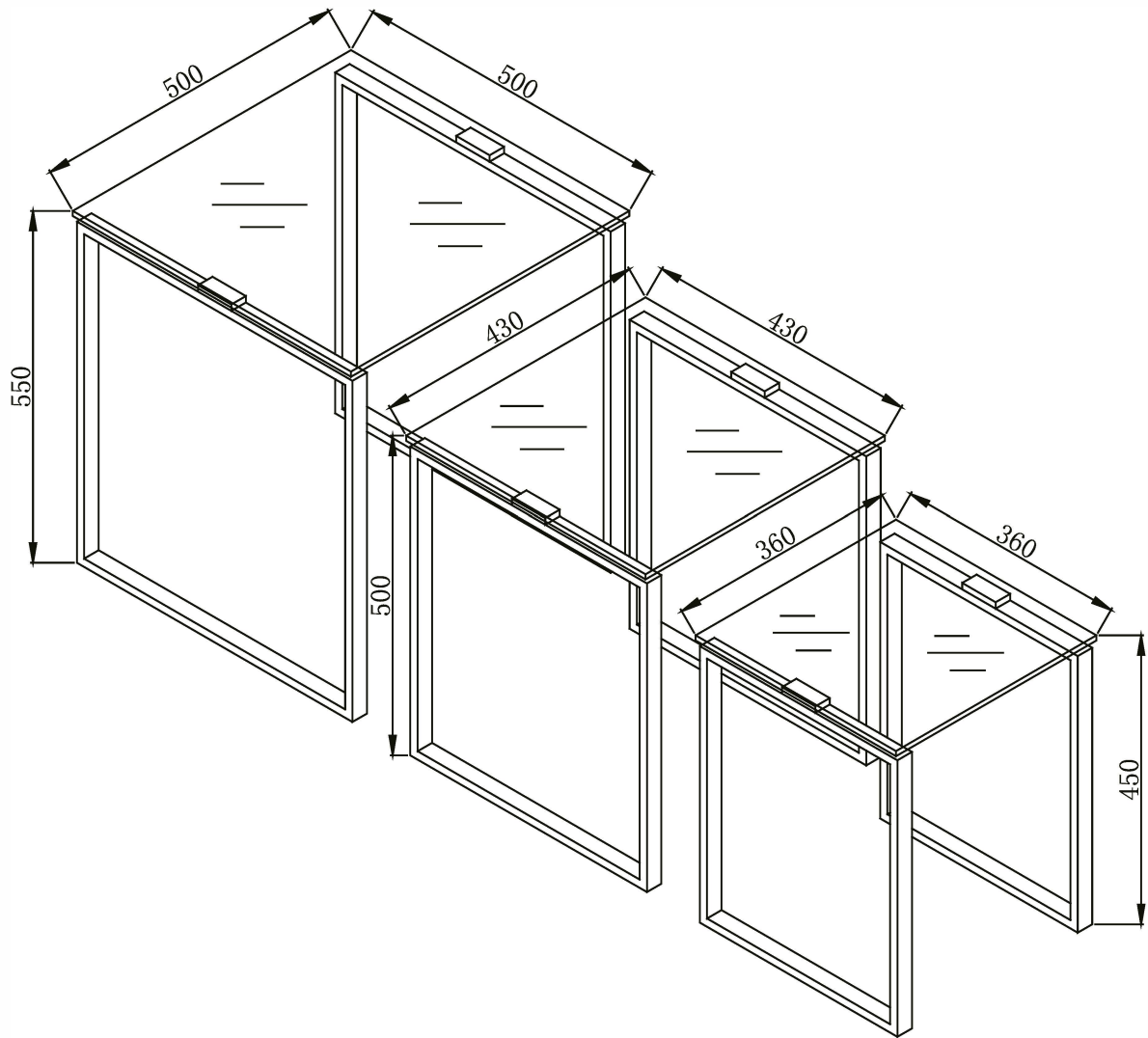
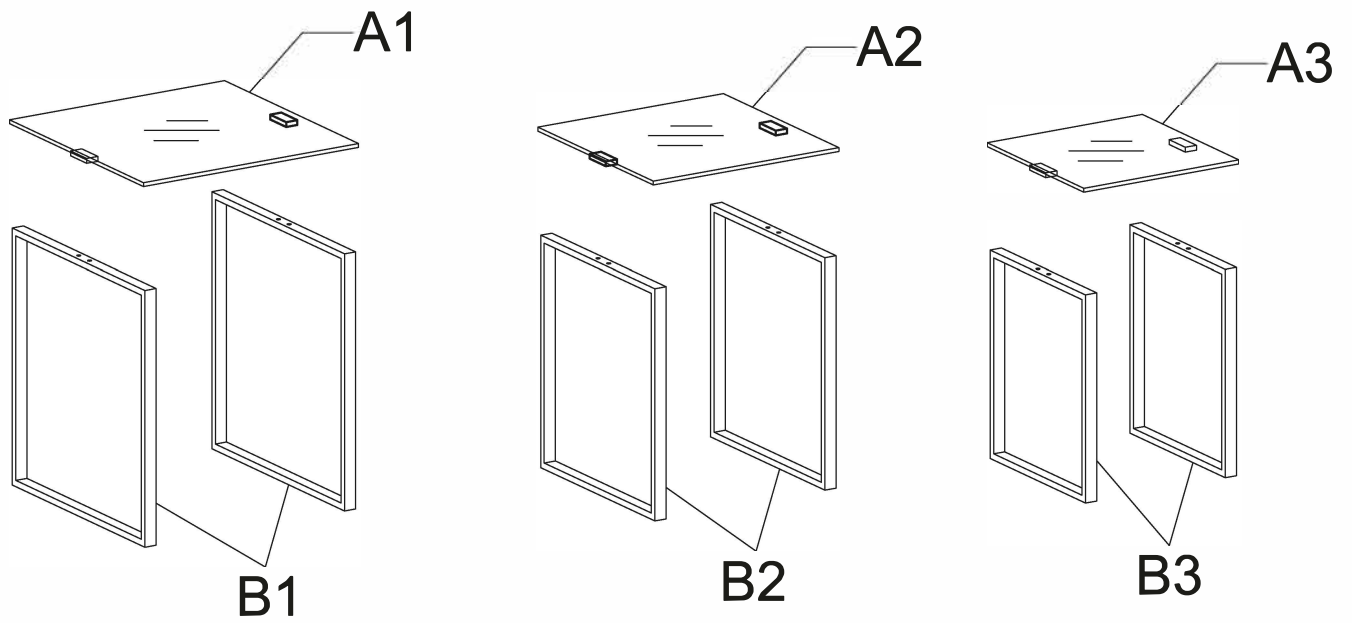


# Marco





1/4"x 20mm  
C x 12



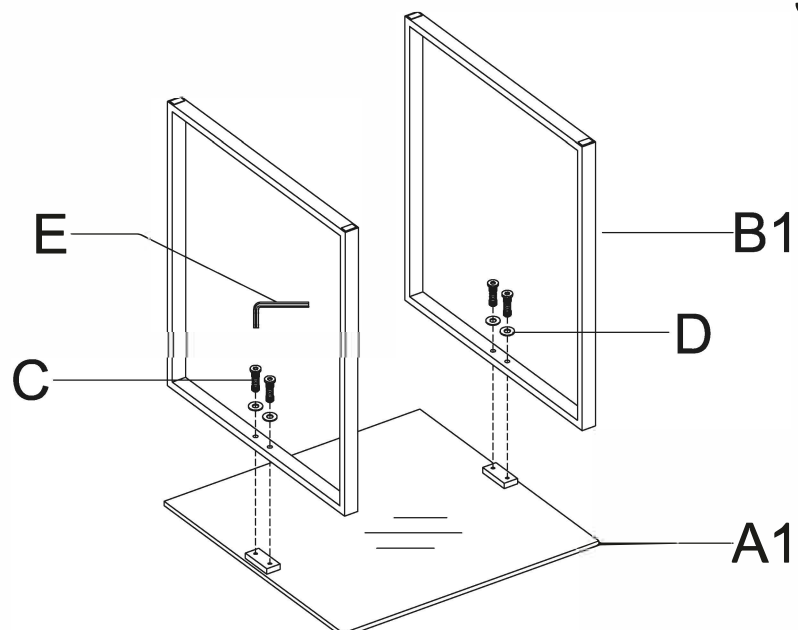
Ø16 x 2.0mm  
D x 12



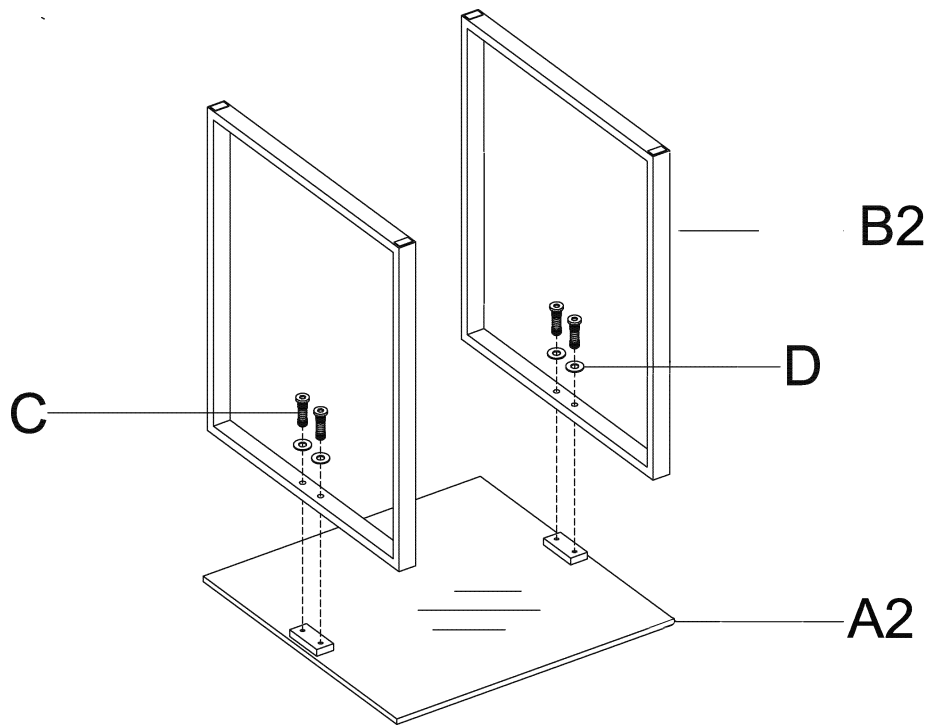
4mm  
E x 1



Step 1



Step 2



Step 3

