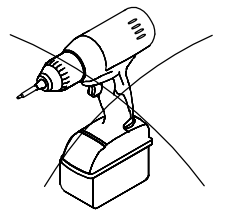
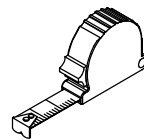
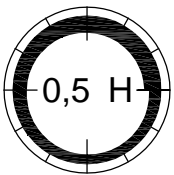
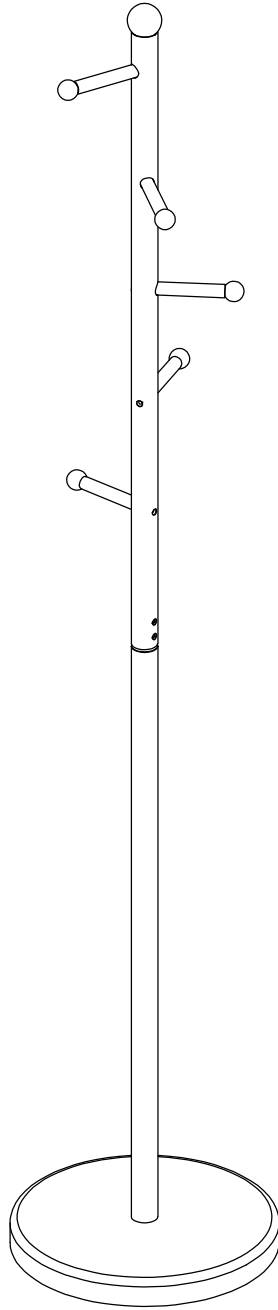
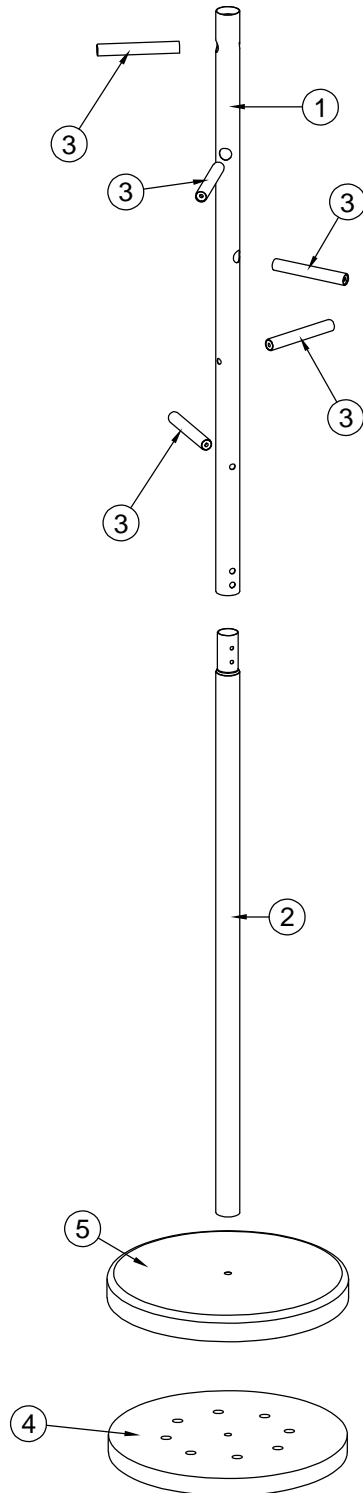
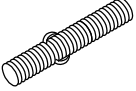
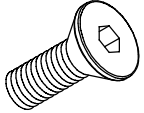
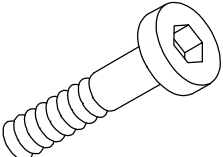

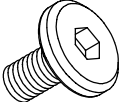
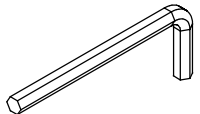
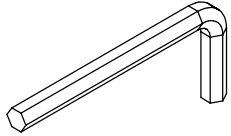
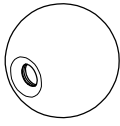
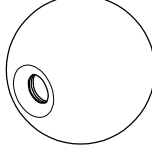



BODIL

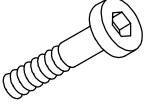

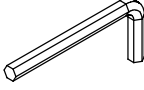



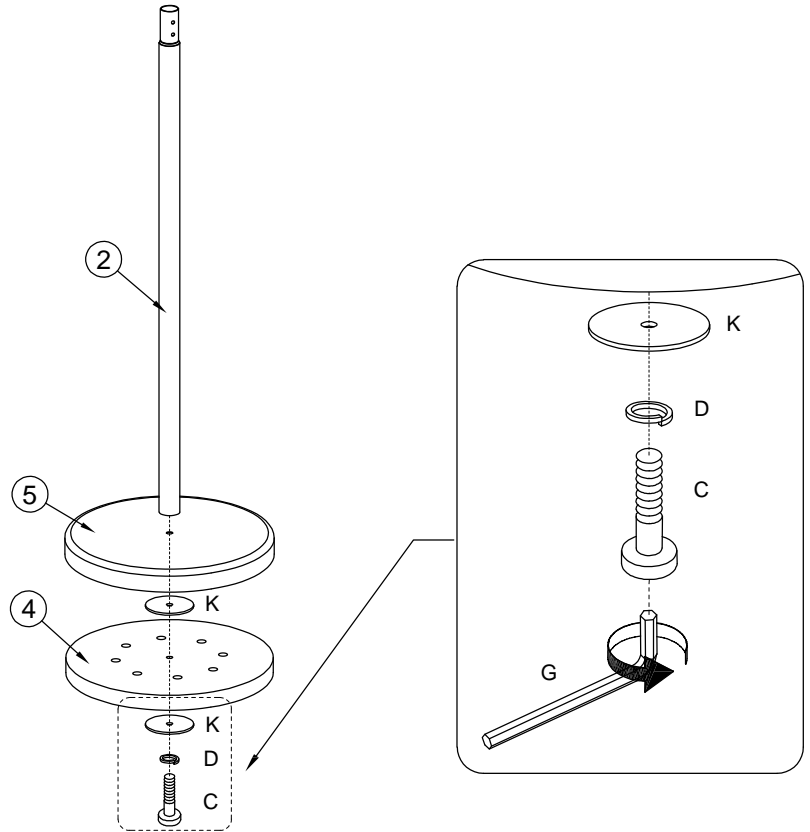
			✓
①	1	∅32x835	
②	1	∅32x835	
③	5	∅16x110	
④	1	∅300x48	
⑤	1	∅323x35	





<p>A x 6</p>  <p>M6 x 30 mm</p>	<p>B x 5</p>  <p>M6 x 20 mm</p>	<p>C x 1</p>  <p>M8 x 55 mm</p>	<p>D x 1</p>  <p>Ø8/Ø13 mm</p>	<p>E x 2</p>  <p>M6 x 12 mm</p>
<p>F x 1</p>  <p>4 mm</p>	<p>G x 1</p>  <p>6 mm</p>	<p>H x 5</p>  <p>Ø25 mm</p>	<p>J x 1</p>  <p>Ø42 mm</p>	<p>K x 2</p>  <p>Ø75 x 3 mm</p>

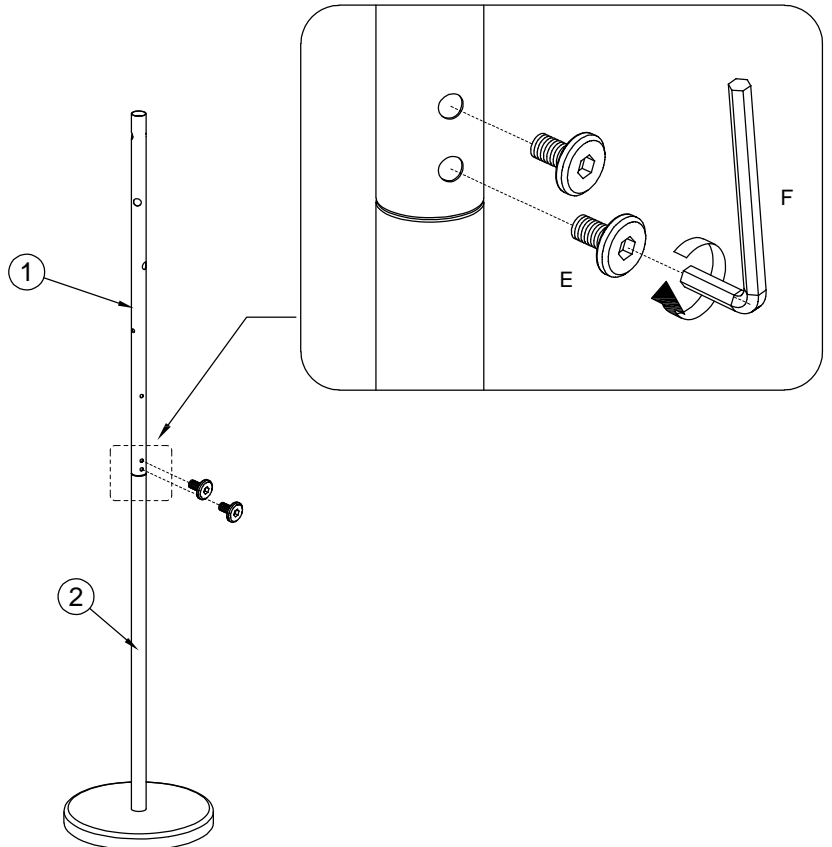
1

C x 1  M8 x 55 mm	D x 1  Ø8/Ø13 mm	G x 1  6 mm	K x 2  Ø75 x 3 mm
---	--	---	---

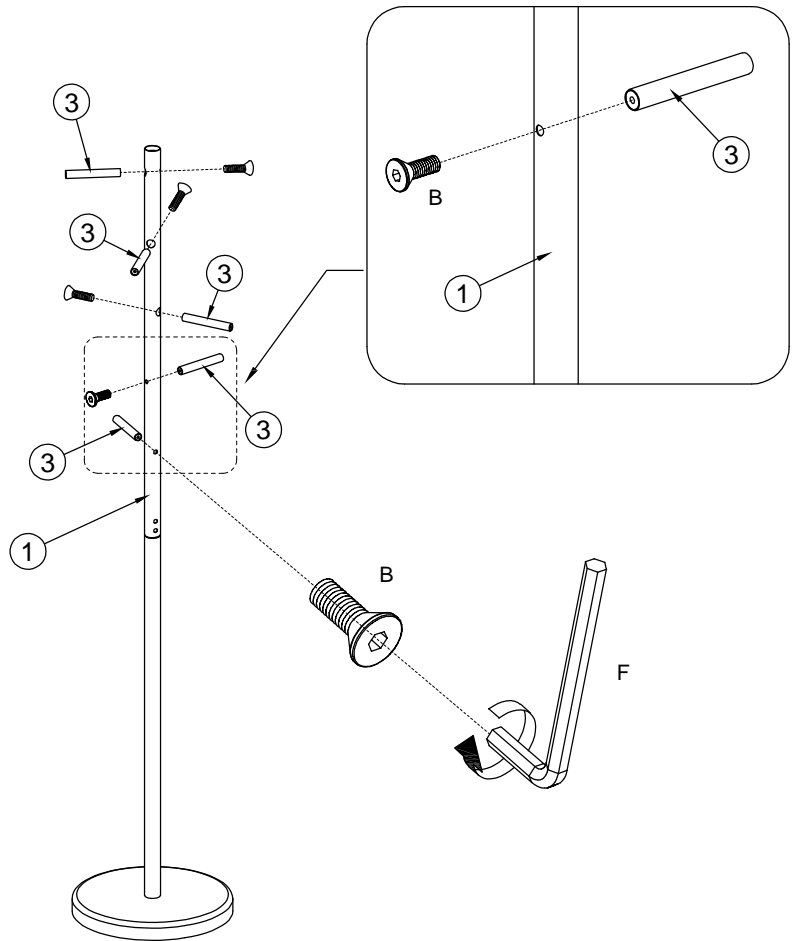
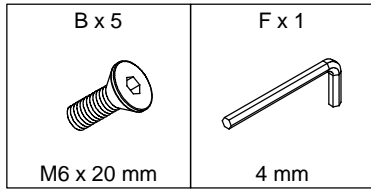


2

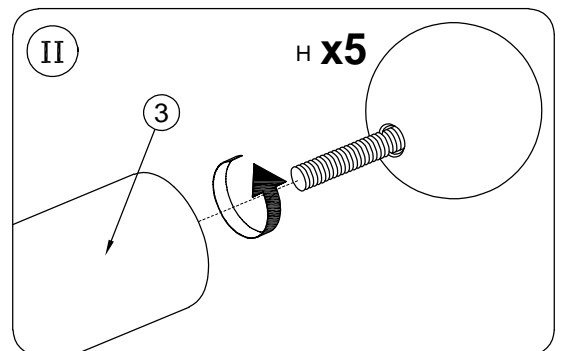
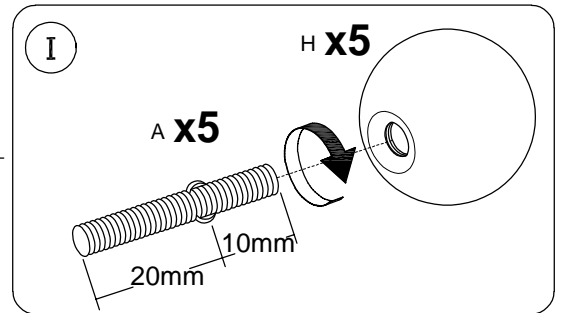
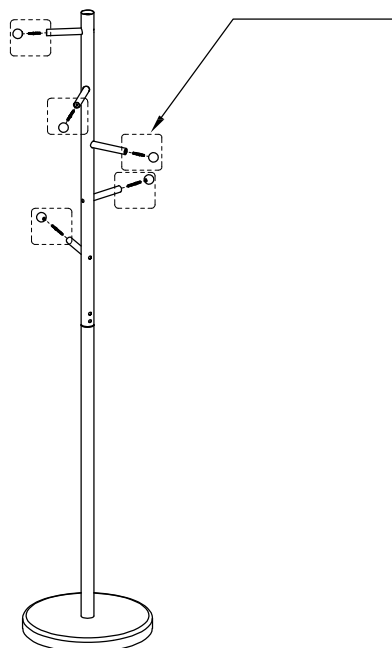
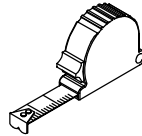
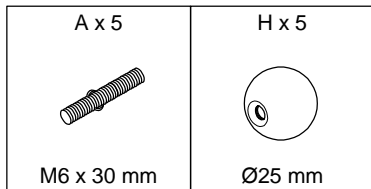
E x 2  M6 x 12 mm	F x 1  4 mm
---	---



3



4



5

