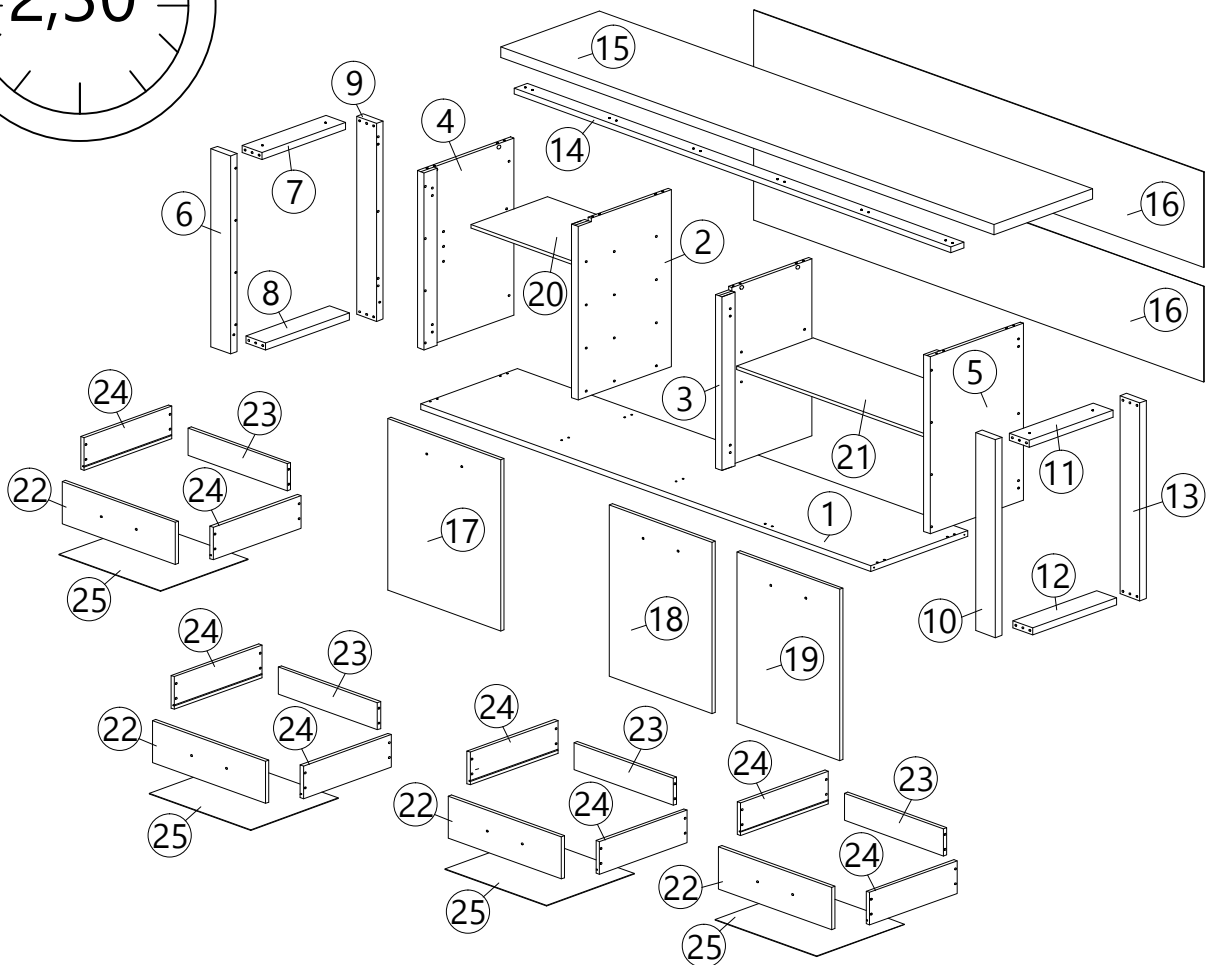
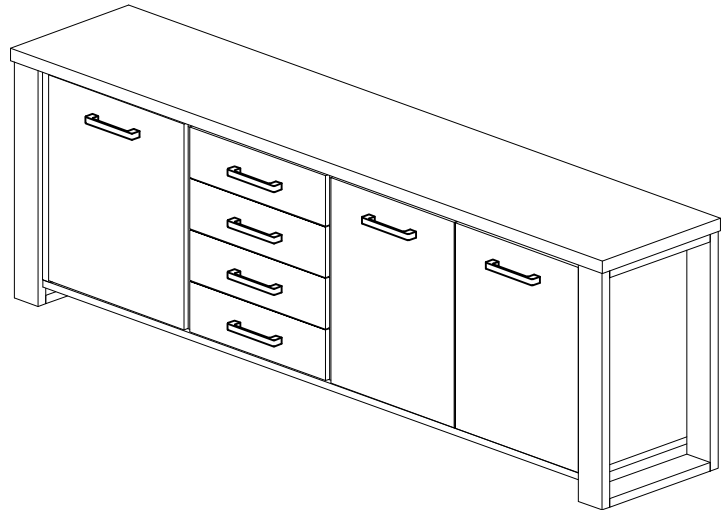
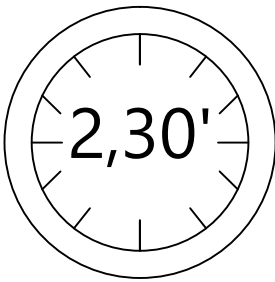
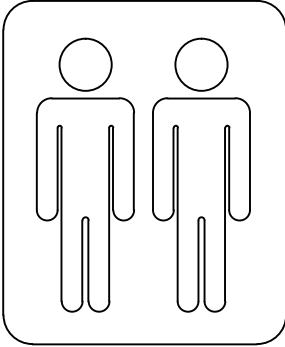


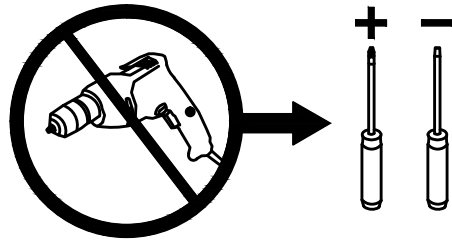
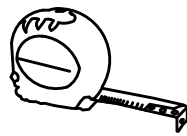
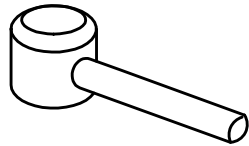
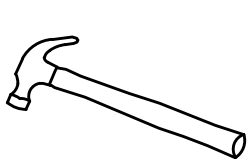
# UXIA

Dressoir 220  
Sideboard



## SB19028-S5VP





ALGEMENE ONDERHOUDSVOORSCHRIFTEN :

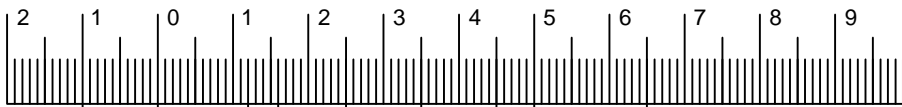
Om de tafelbladen te beschermen mogen geen hete pannen, kaarsen of andere hete glazen op het oppervlakte geplaatst worden, gebruik hiervoor een beschermende onderligger. Reinigen van oppervlaktes : met licht vochtige doek of zeemvel reinigen en direct droog wrijven. Zeker geen vocht laten staan op de oppervlaktes. Gebruik van ruwe materialen zoals schuurpons, schuurmiddelen, chemische producten zoals verdunners ammoniak of boenwas zijn niet toegelaten. Ook geen siliconen houdende producten aanwenden zoals pledge enz. Garantie : Indien bovenstaande voorschriften niet gevolgd worden vervalt de garantie.

INFORMATION GENERALE D'ENTRETIEN :

Pour la protection de la surface des tables et autres éviter de mettre des casseroles chaudes ainsi que des bougies ou verres chaudes (thé) sur la surface sans protection. L'entretien des surfaces : Utilisez un chiffon légèrement humide et séchez aussitôt. Jamais laisser des liquides sur les surfaces, les meubles ne sont pas adaptés pour un emplacement dans des pièces humides. Des éponges abrasives, tout produits chimiques : ammoniac, détergent, diluent; ou cirage et produits d'entretien comme Pledge sont interdit. Garantie : La garantie expire si les prescriptions d'entretien générale ne sont pas respecter.

MAINTENANCE PRESCRIPTIONS :

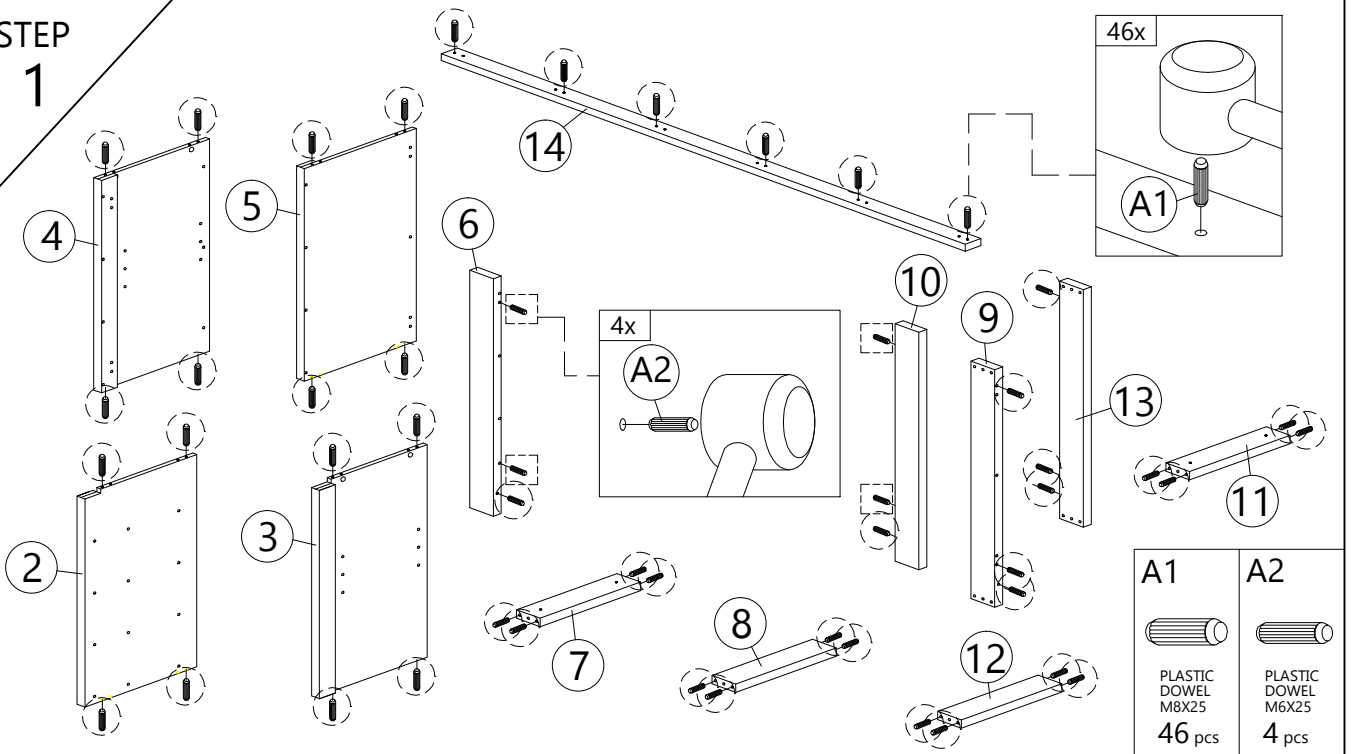
To protect the table tops never put hot items on these surfaces. Clean with a slightly wet cloth and wipe dry immediately. Never let water or other wet items on the table tops, this furniture is not suitable for wet locations. Do not use solvent, thinner, or other chemical products to clean. Warranty : Expires if above prescriptions are not respected.



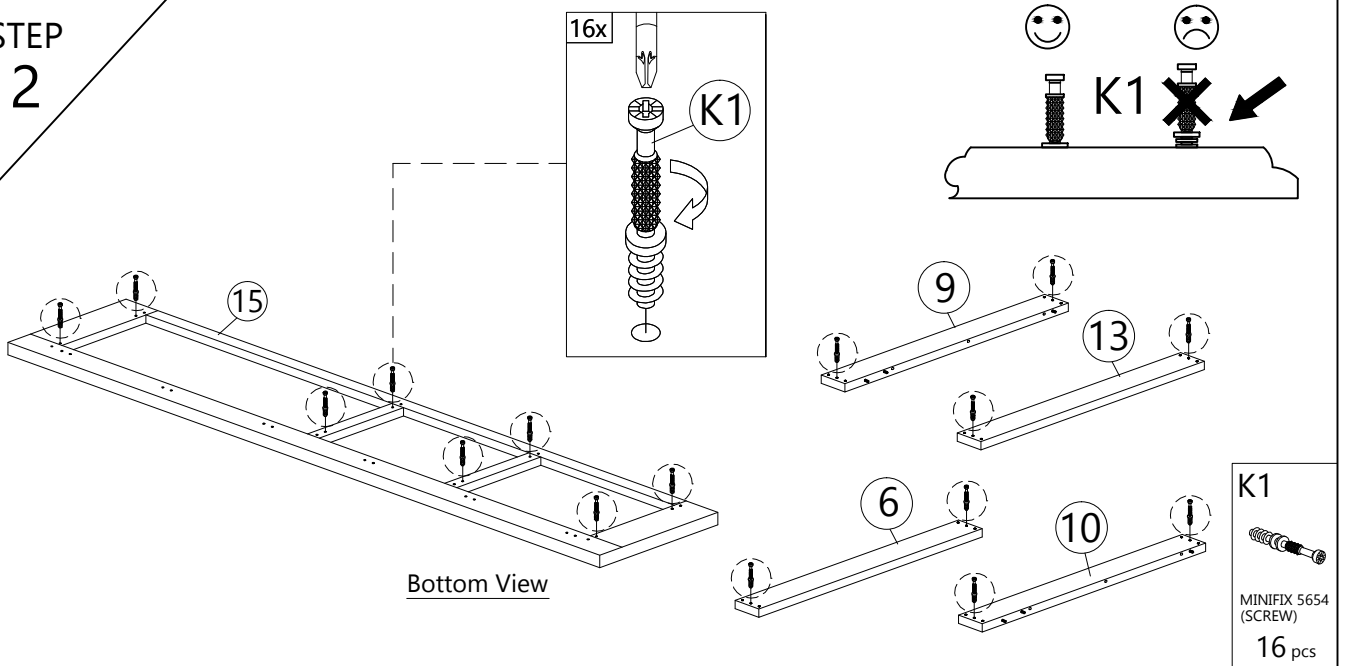
- PLASTIC DOWEL M8X25  
A1=46pcs
- PLASTIC DOWEL M6X25  
A2=4pcs
- CB SCREW M3.5X12  
B=48pcs
- CB SCREW M3.5X16 (RB)  
C1=24pcs
- CB SCREW M3.5X16 (BLACK)  
C2=16pcs
- CB SCREW M4X25  
D=8pcs
- CB SCREW M4X35  
E=38pcs
- CB SCREW M4.5X45 (BLACK)  
F=8pcs
- CB SCREW M4X65  
G=6pcs
- CSK CAP M6X50  
H=14pcs

<b>I</b>  L-BRACKET (1211)-BLACK 4pcs	<b>J</b>  PVC SHELF SUPPORT 8pcs	<b>K1</b>  MINIFIX 5654 (SCREW) 16pcs	<b>K2</b>  MINIFIX 5654 (HOUSING) 16pcs
<b>L1</b>  HINGES 5/8" (INSIDE) 4pcs	<b>L2</b>  HINGES 5/8" (FACE) 4pcs	<b>M</b>  CAP 14pcs	<b>N</b>  PLASTIC PIN 4pcs
<b>O</b>  HANDLE VSC19 (160MM) 7pcs	<b>P</b>  P/H SCREW M4X24 6pcs	<b>Q</b>  P/H SCREW M4X40 8pcs	<b>R</b>  POWER NAIL 5/8" 100pcs
<b>S</b>  DRAWER SLIDE 16" 4sets (S1=8pcs / S2=8pcs)			
<b>T</b>  ALLEN KEY 1pc	<b>U</b>  PVC SOFA LEG -BLACK (H70mm) 2pcs	<b>V</b>  SCREW CAP 6pcs	<b>W</b>  PVC 2 PIN STOPPER 1pc
<b>X1</b>  HINGES 5/8" (INSIDE) 2pcs		<b>X2</b>  HINGES 5/8" (FACE) 2pcs	

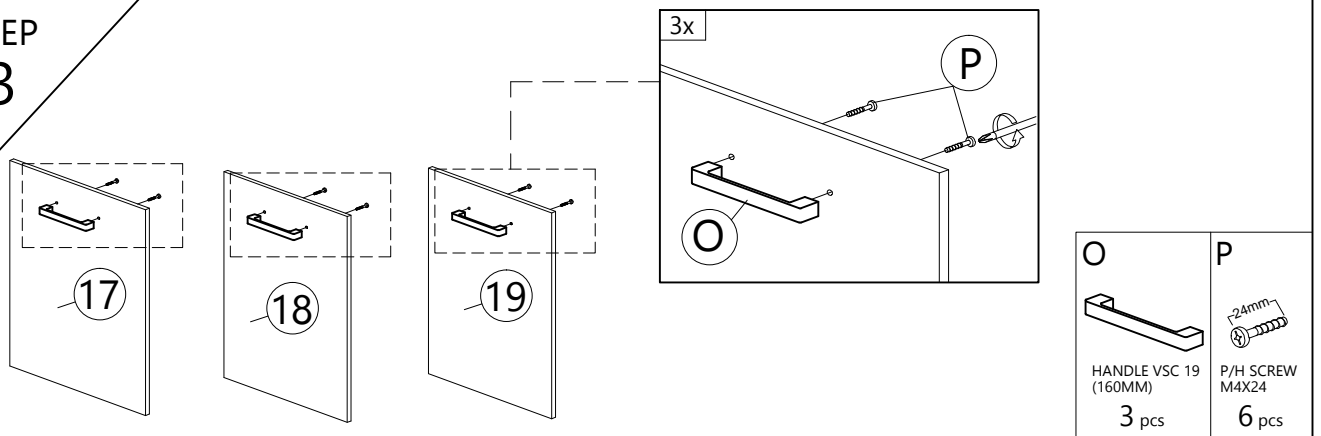
STEP  
1



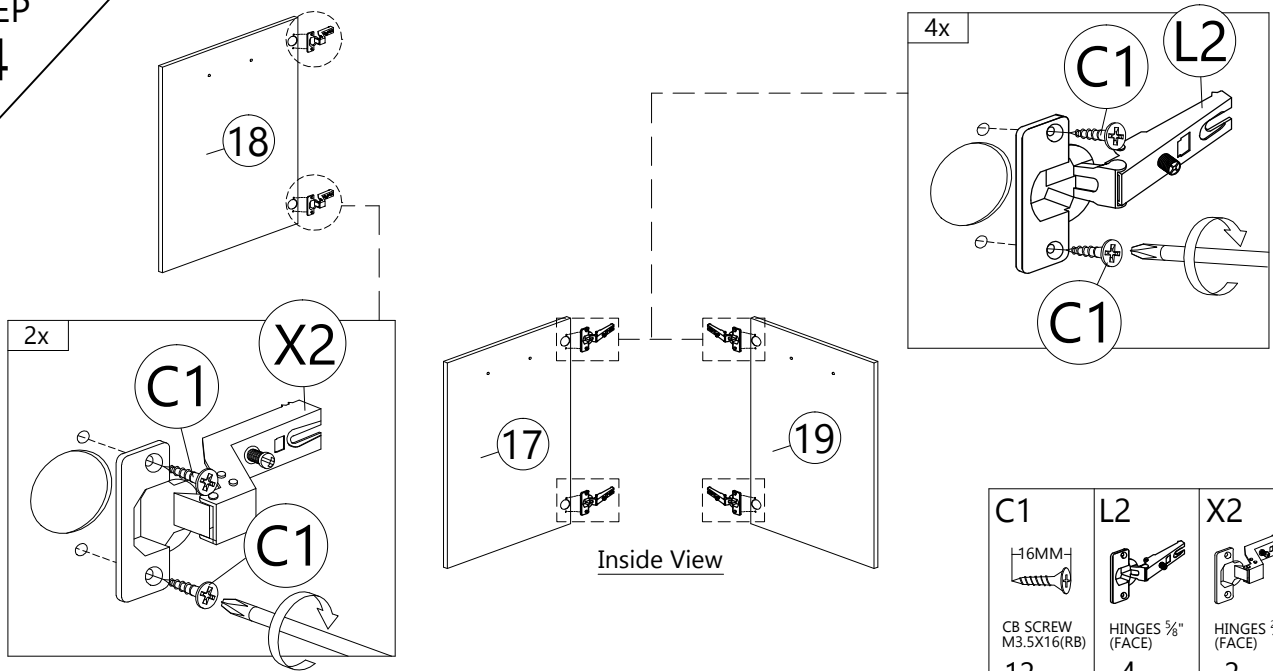
STEP  
2



STEP  
3

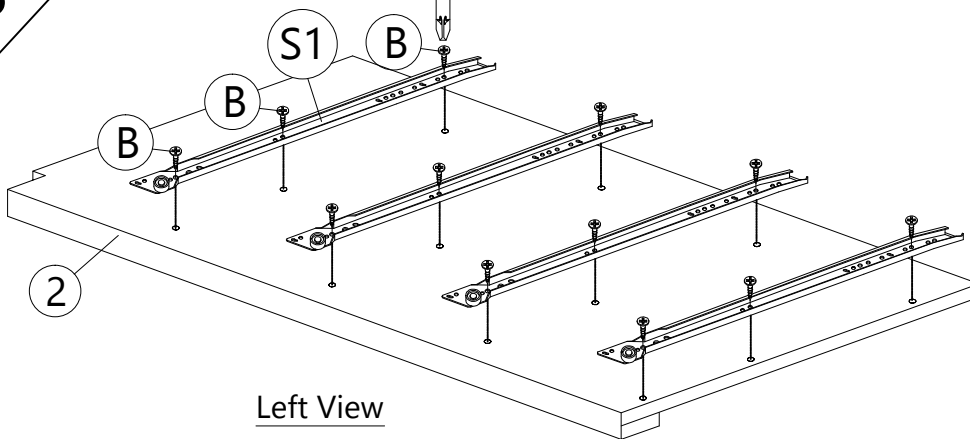


STEP  
4



C1	L2	X2
CB SCREW M3.5X16(RB)	HINGES 3/8" (FACE)	HINGES 3/8" (FACE)
12 pcs	4 pcs	2 pcs

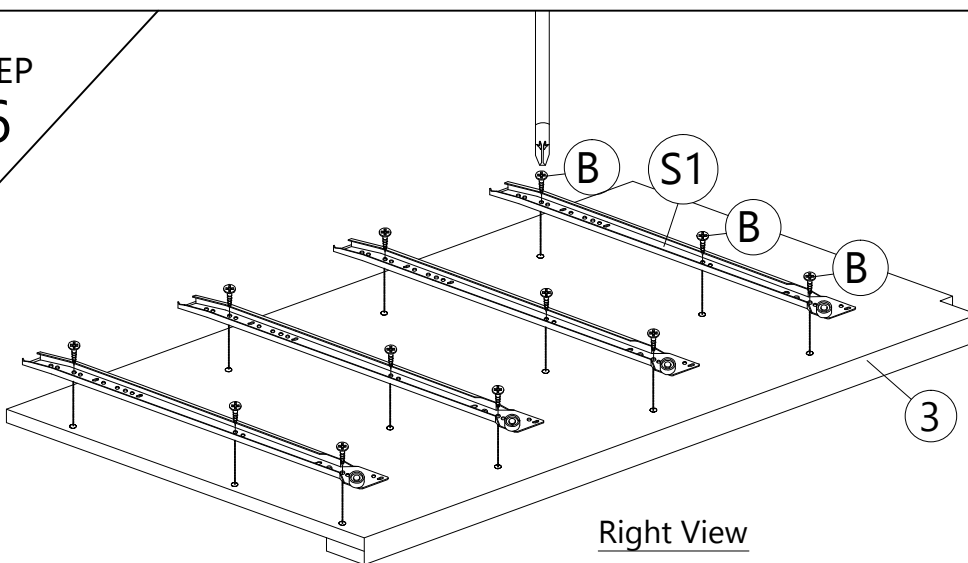
STEP  
5



Left View

B	S1
CB SCREW M3.5X12	DRAWER SLIDE 16"
12 pcs	4 pcs

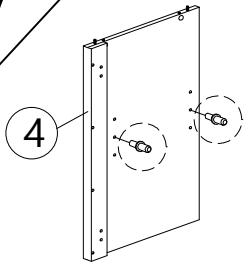
STEP  
6



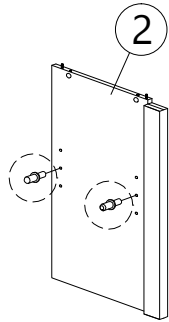
Right View

B	S1
CB SCREW M3.5X12	DRAWER SLIDE 16"
12 pcs	4 pcs

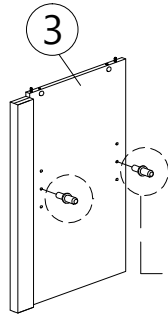
**STEP 7**



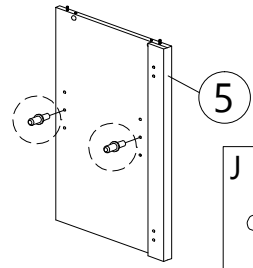
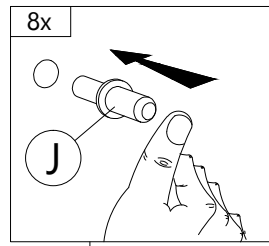
Left View



Right View



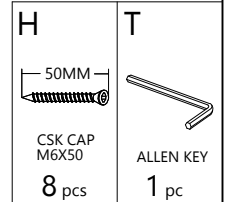
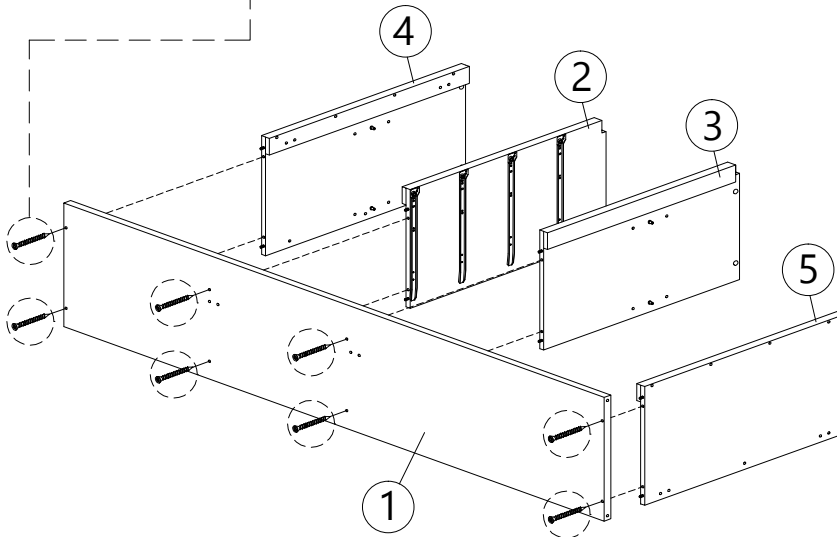
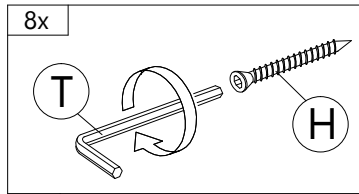
Left View



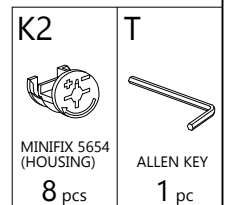
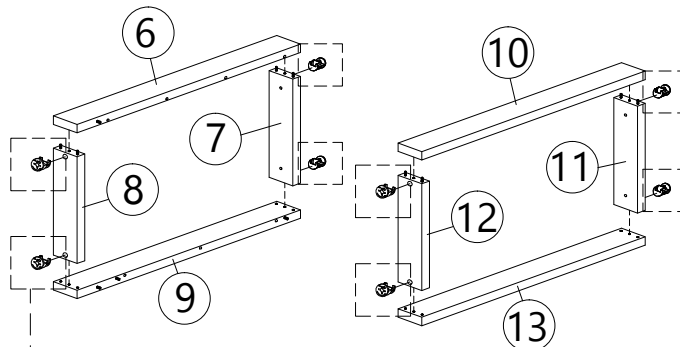
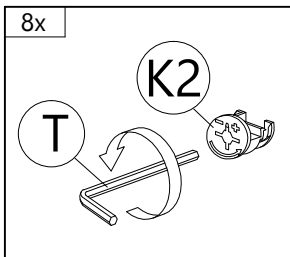
Right View



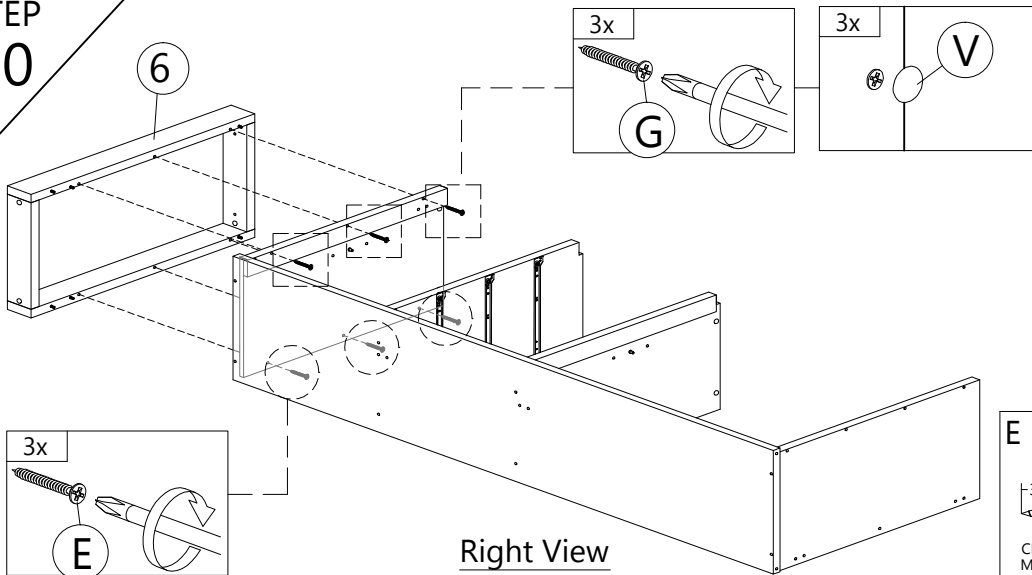
**STEP 8**



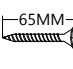


**STEP 9**

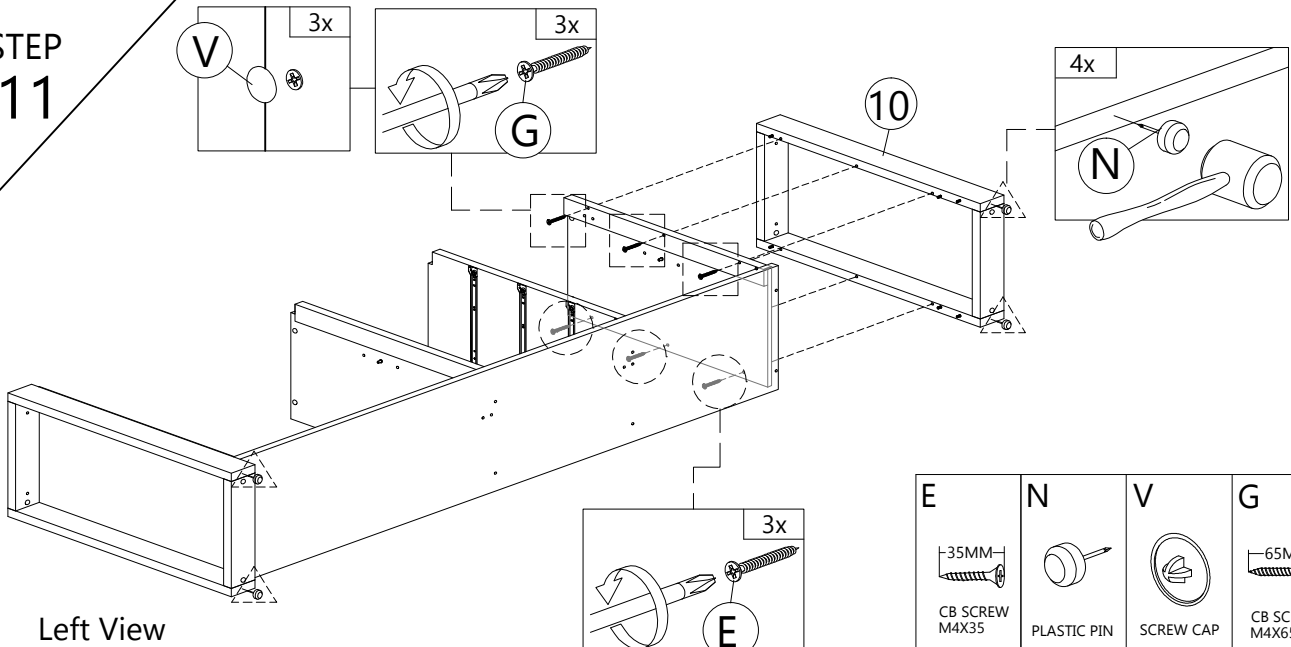


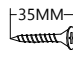


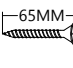
STEP  
10



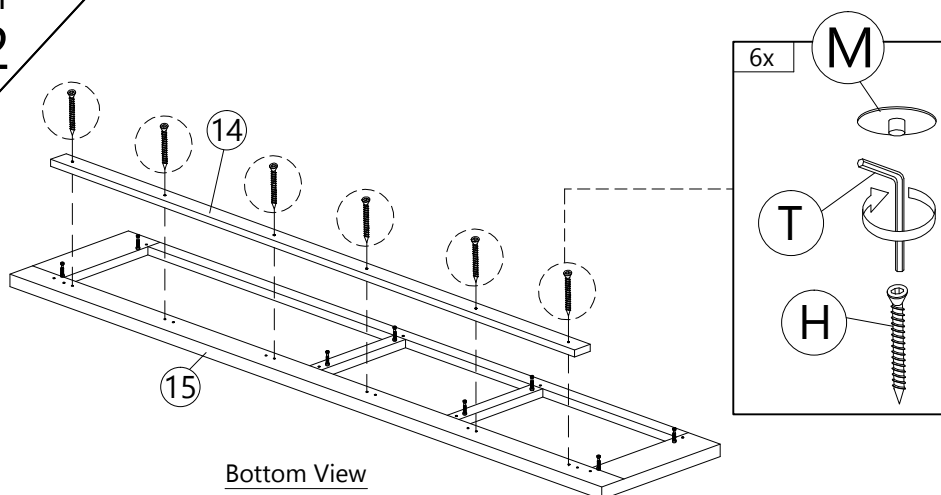
<b>E</b>	<b>V</b>	<b>G</b>
		
35MM CB SCREW M4X35	SCREW CAP	65MM CB SCREW M4X65
3 pcs	3 pcs	3 pcs

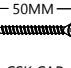
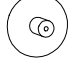
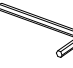
STEP  
11



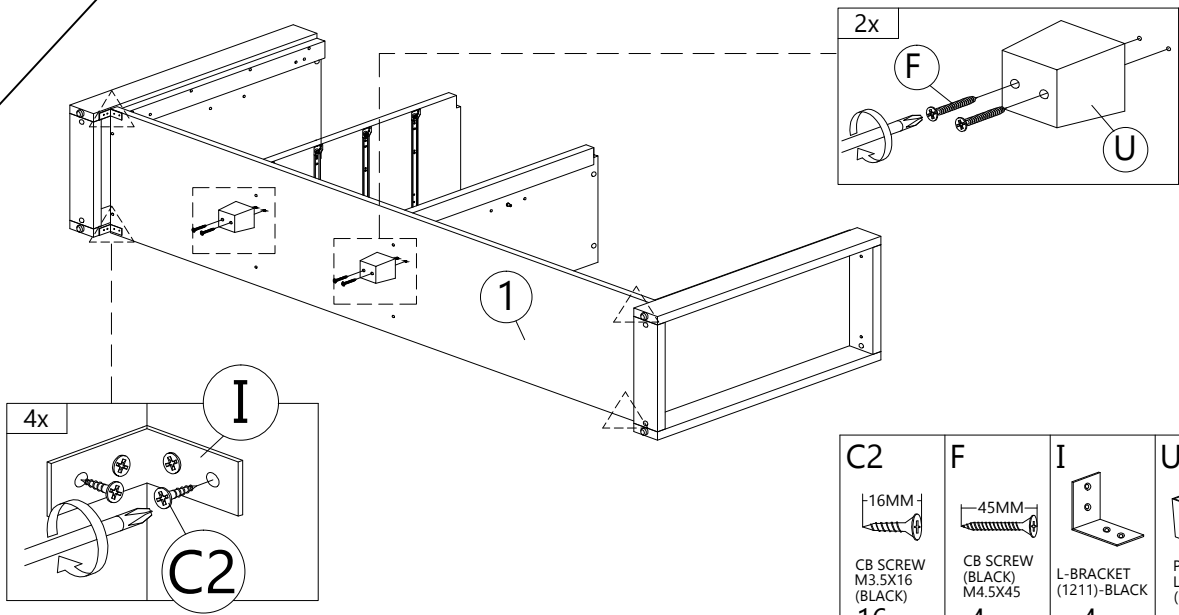
<b>E</b>	<b>N</b>	<b>V</b>	<b>G</b>
			
35MM CB SCREW M4X35	PLASTIC PIN	SCREW CAP	65MM CB SCREW M4X65
3 pcs	4 pcs	3 pcs	3 pcs

STEP  
12



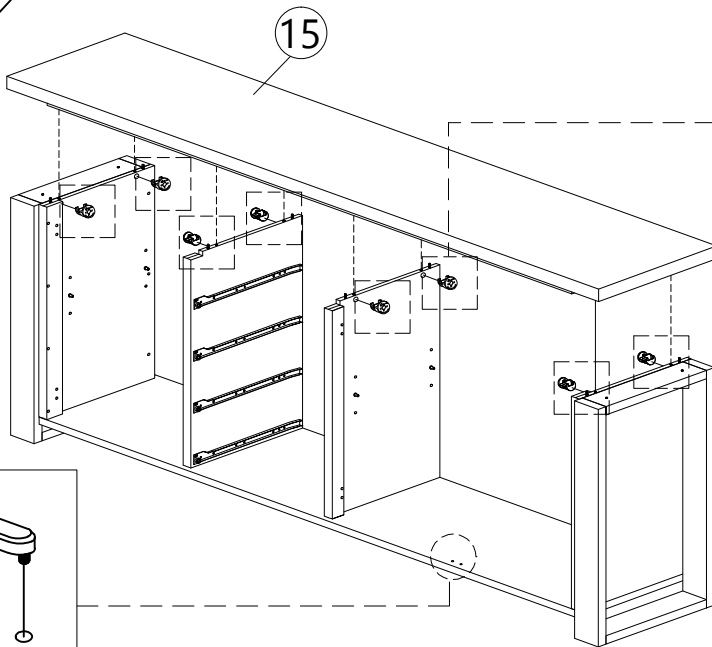
<b>H</b>	<b>M</b>	<b>T</b>
		
50MM CSK CAP M6X50	CAP	ALLEN KEY
6 pcs	6 pcs	1 pc

STEP  
13



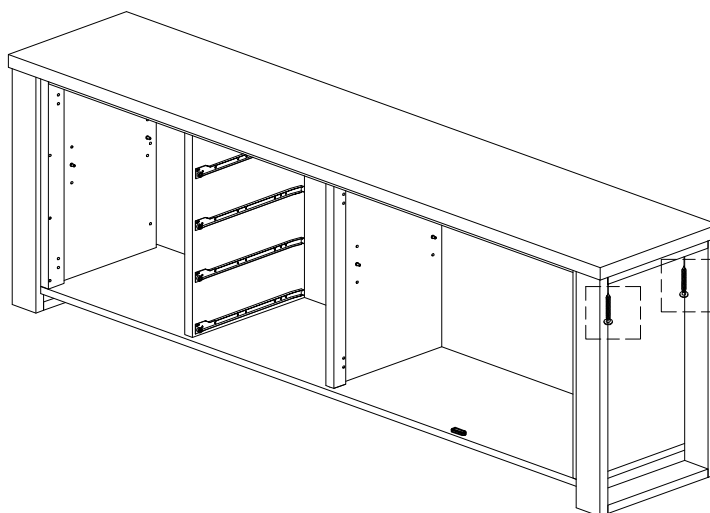
<b>C2</b> -16MM- CB SCREW M3.5X16 (BLACK) 16 pcs	<b>F</b> -45MM- CB SCREW (BLACK) M4.5X45 4 pcs	<b>I</b> L-BRACKET (1211)-BLACK 4 pcs	<b>U</b> PVC SOFA LEG-BLACK (H70mm) 2 pcs
---	---	--	---

STEP  
14



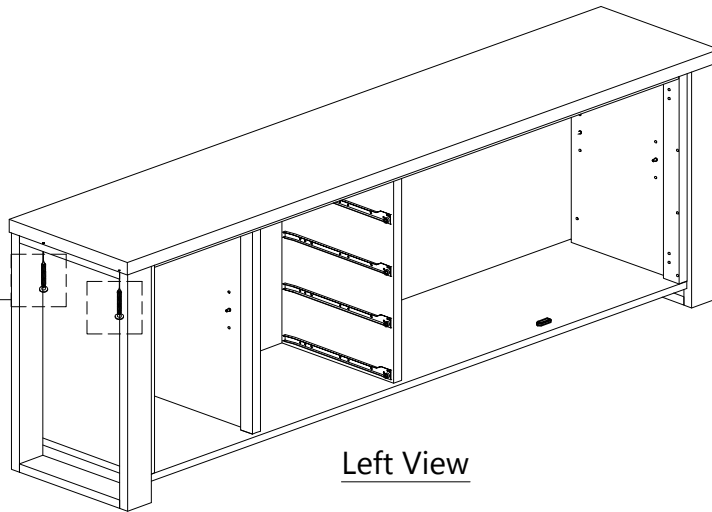
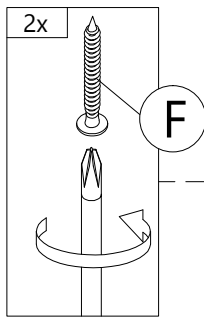
<b>K2</b> MINIFIX 5654 (HOUSING) 8 pcs	<b>M</b> CAP 8 pcs	<b>W</b> PVC 2 PIN STOPPER 1 pc	<b>T</b> ALLEN KEY 1 pc
---	--------------------------	--	-------------------------------

STEP  
15

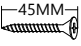


<b>F</b> -45MM- CB SCREW (BLACK) M4.5X45 2 pcs
---

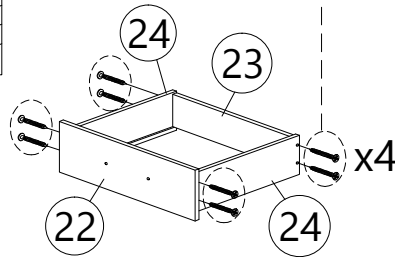
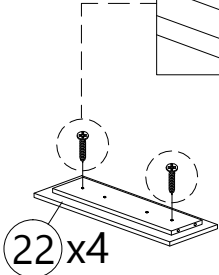
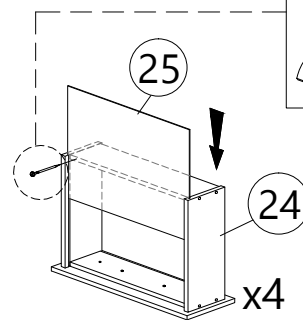
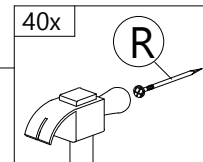
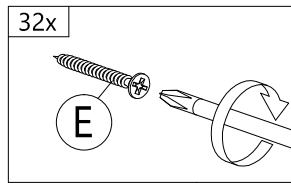
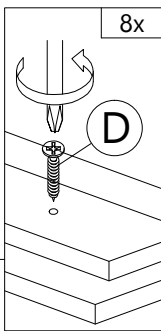
STEP 16

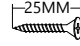




Left View

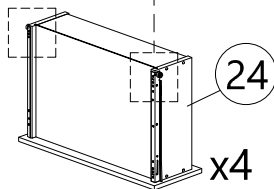
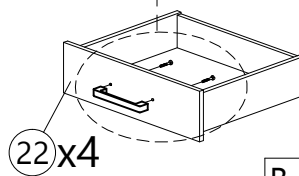
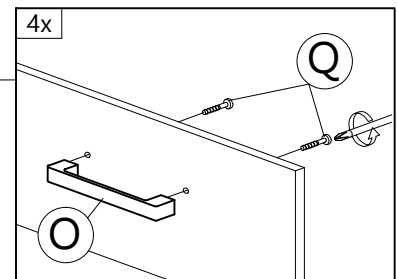
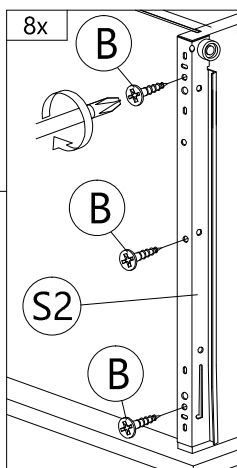
**F**  
  
 45MM  
 CB SCREW  
 (BLACK)  
 M4.5X45  
 2 pcs

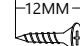

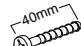

STEP 17



<b>D</b>  25MM CB SCREW M4X25 8 pcs	<b>E</b>  35MM CB SCREW M4X35 32 pcs	<b>R</b>  POWER NAIL 5/16" 40 pcs
---	--	--

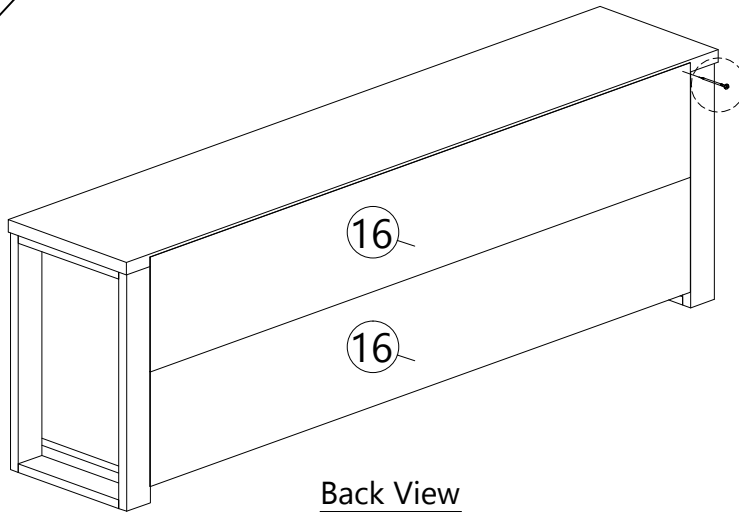
STEP 18



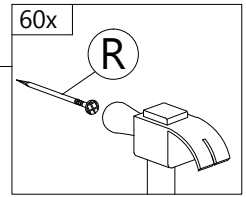
<b>B</b>  12MM CB SCREW M3.5X12 24 pcs	<b>O</b>  HANDLE VSC 19 (160MM) 4 pcs	<b>Q</b>  40mm P/H SCREW M4X40 8 pcs	<b>S2</b>  DRAWER SLIDE 16" 8 pcs
---	--	--	---



STEP  
19



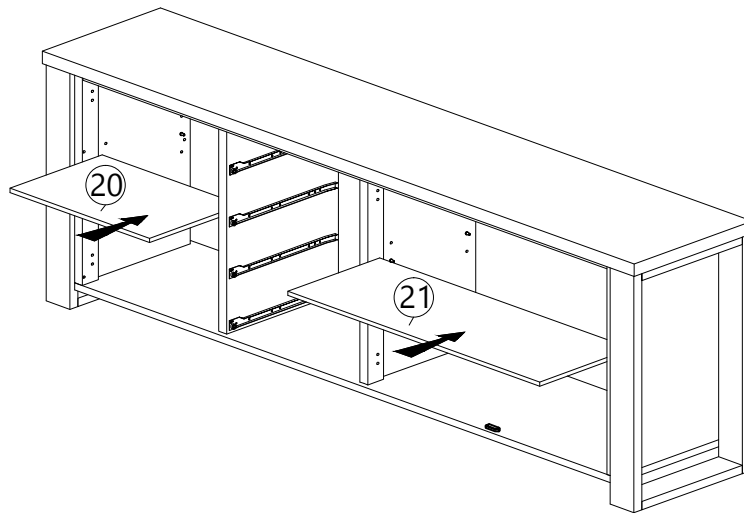
Back View



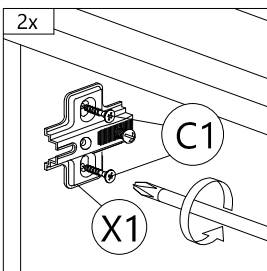
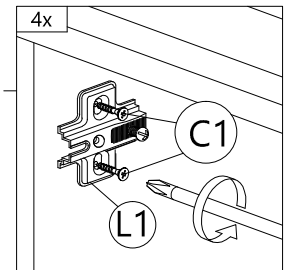
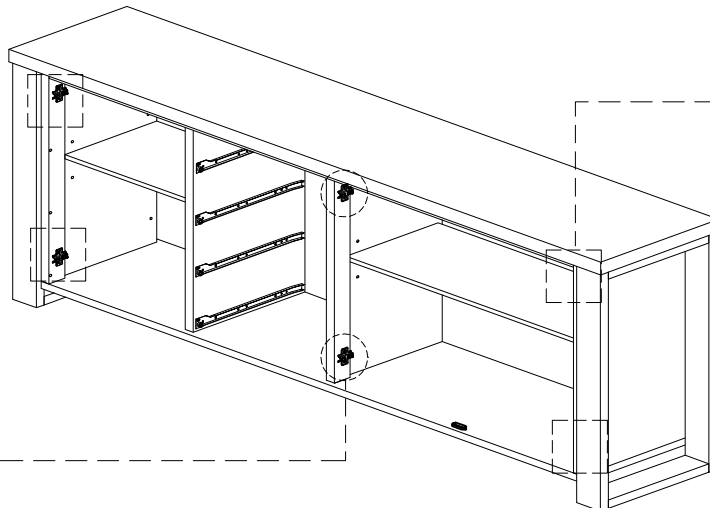
R

POWER  
NAIL 5/8"  
60 pcs

STEP  
20

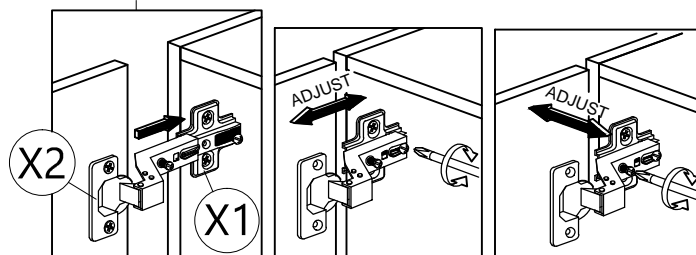
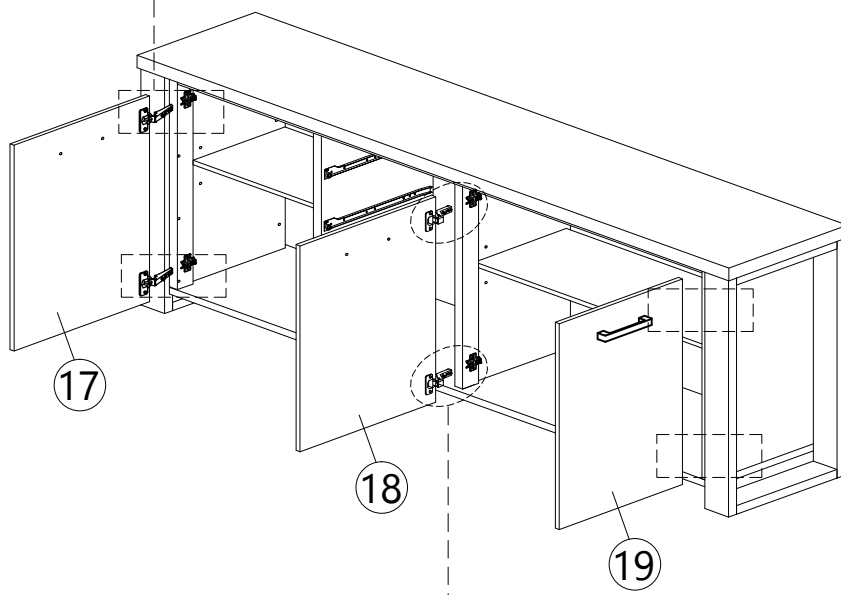
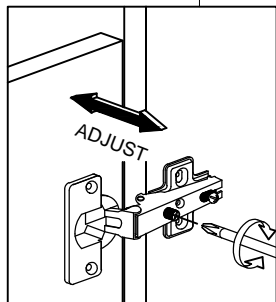
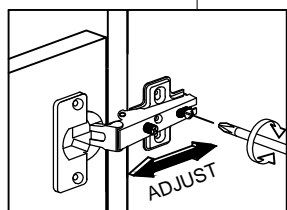
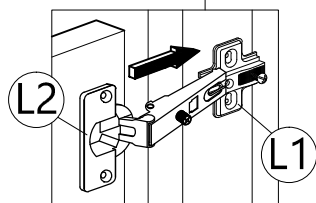


STEP  
21



C1	L1	X1
CB SCREW M3.5X16(RB)	HINGES 5/8" (INSIDE)	HINGES 5/8" (INSIDE)
12 pcs	4 pcs	2 pcs

STEP  
22



STEP  
23

